

**TRANSPORT REFRIGERATION UNIT  
& AUXILIARY POWER UNIT  
STARTERS & ALTERNATORS**





**BROUGHT TO YOU BY REMY INTERNATIONAL, INC.**  
Provider of Delco Remy Heavy Duty Starters & Alternators



## **Auxiliary Power Unit Alternators & Starters** \_\_\_\_\_ **4**

This section is a listing of alternator and starter part numbers by model, year and engine.

## **Transport Refrigeration Alternators** \_\_\_\_\_ **5**

This section is a listing of alternator part numbers by make, model, year and engine.

## **Transport Refrigeration Starters** \_\_\_\_\_ **12**

This section is a listing of starter part numbers by make, model, year and engine.

## **Buyer's Guide** \_\_\_\_\_ **16**

This section identifies units on specific applications and includes photos of part numbers for identification.

## **Cross Reference** \_\_\_\_\_ **26**

This section identifies replacement units for competitive and OE models.

NOTE: Interchange by using a competitor part number is not positive identification. Certain competitor part number interchanges are included at popular request, but absolute correlation is not possible. No responsibility is assumed by remanufacturer or publisher for consequential or other damages which may arise from reliance on a competitor part number to make identification.

DISCLAIMER of WARRANTY: The information contained herein has been obtained from reliable sources and is accurate insofar as is ascertainable. However, no warranty is either expressed or implied as to the accuracy of this catalog and no responsibility is assumed by the publisher for any damages. The acceptance of this catalog is conditional to the acceptance of the disclaimer of warranty.

Copyright 2014 by Remy International, Inc. All rights reserved. These materials are protected by United States and international copyright laws and may not be reproduced, modified, distributed or republished in any form without the express written permission of Remy International, Inc.

Any reference to part numbers or manufacture company names listed throughout this catalog are for reference purposes only and are in no way indicative of the origin of the goods.

# How to use this catalog

| Alternators       |                               | Carrier Transicold Truck Units |      |     |          |
|-------------------|-------------------------------|--------------------------------|------|-----|----------|
| Year              | Engine                        | Option                         | Volt | AMP | Part No. |
| <b>Eagle Plus</b> |                               |                                |      |     |          |
| All               | Kubota CT4-114 (V1902) Diesel |                                | 12   | 37  | 93010    |
| All               | Kubota CT4-114 (V1902) Diesel |                                | 12   | 65  | 93073    |
| All               | Kubota CT4-134 (V2203) Diesel |                                | 12   | 37  | 93010    |

## Column Headings:

**Year**..... Model/Engine year of vehicle

**Engine**..... Engine model or description and may include engine size by liters

**Option**..... Additional information needed to identify the application (i.e.: w/ CW Rot)

**Volt**..... Operating voltage of unit identified

**Amp**..... Amperage of unit supplied

**kW**..... Kilowatt rating of unit supplied

**Part No.**.... Alternator or Starter part number

## Descriptive Abbreviations

**Amp**..... Amperage of Unit

**B+**..... Term – Battery Terminal

**BI**..... Bidirectional Fan

**BO**..... Bosch

**CW**..... Clockwise

**CCW**..... Counter Clockwise

**ND**..... Denso

**ER**..... External Regulator

**HI**..... Hitachi

**IR**..... Internal Regulator

**kW**..... Kilowatt rating

**Mfr**..... Manufacture

**PL**..... Prestolite

**PR**..... Paris Rhone

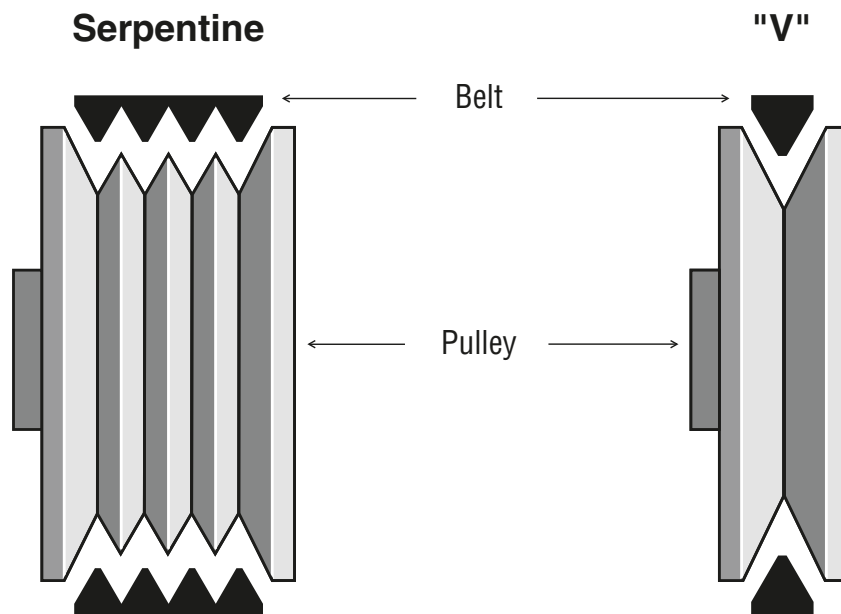
**Reg**..... Regulator

**Rot**..... Rotation

**Sw Term**... Solenoid Switch Terminal

**VA**..... Valeo

There are two designs of belts and pulleys found on modern vehicles:



- The alternator you have purchased may not have a pulley installed, or it may be the incorrect pulley for your application. It may be necessary to transfer the original pulley from the old alternator to the replacement alternator.
- The number of grooves in the belt must match the number of pulley grooves.
- Never use a V-belt with a serpentine pulley, or a serpentine belt with a V-pulley. Doing so may result in belt failure.
- The alignment of the alternator pulley to the other pulleys in the system is critical. Misalignment may result in belt wear and failure.
- Torque newly-installed pulley to 75-90 ft. lbs.

# Auxiliary Power Units (APU)

| Carrier Transicold       |                                   |        | Alternators |     |          |
|--------------------------|-----------------------------------|--------|-------------|-----|----------|
| Year                     | Engine                            | Option | Volt        | Amp | Part No. |
| <b>ComfortPro PC5000</b> |                                   |        |             |     |          |
| All                      | Kubota CT2-29TV (Z482-E2B) Diesel |        | 12          | 40  | 93096    |
| <b>ComfortPro PC6000</b> |                                   |        |             |     |          |
| All                      | Kubota CT2-29TV (Z482-E2B) Diesel |        | 12          | 60  | 93097    |
| <b>Rigmaster</b>         |                                   |        |             |     |          |
| <b>14-6</b>              |                                   |        |             |     |          |
| All                      | Perkins 402C-05 Diesel            |        | 12          | 60  | 93098    |
| <b>T4-6</b>              |                                   |        |             |     |          |
| All                      | Perkins 402C-05 Diesel            |        | 12          | 60  | 93098    |
| <b>104</b>               |                                   |        |             |     |          |
| All                      | Perkins 102-05 Diesel             |        | 12          | 40  | 93099    |
| <b>10-40</b>             |                                   |        |             |     |          |
| All                      | Perkins 102-05 Diesel             |        | 12          | 40  | 93099    |
| <b>Thermo King</b>       |                                   |        |             |     |          |
| <b>TriPac</b>            |                                   |        |             |     |          |
| All                      | TK270                             |        | 12          | 65  | 93095    |
| All                      | Yanmar 2TNV70                     |        | 12          | 65  | 93095    |
| Carrier Transicold       |                                   |        | Starters    |     |          |
| Year                     | Engine                            | Option | Volt        | kW  | Part No. |
| <b>ComfortPro PC5000</b> |                                   |        |             |     |          |
| All                      | Kubota CT2-29TV (Z482-E2B) Diesel |        | 12          | 0.7 | 93598    |
| All                      | Kubota CT2-29TV (Z482-E2B) Diesel |        | 12          | 0.8 | 93600    |
| <b>ComfortPro PC6000</b> |                                   |        |             |     |          |
| All                      | Kubota CT2-29TV (Z482-E2B) Diesel |        | 12          | 0.7 | 93598    |
| All                      | Kubota CT2-29TV (Z482-E2B) Diesel |        | 12          | 0.8 | 93600    |
| <b>Rigmaster</b>         |                                   |        |             |     |          |
| <b>14-6</b>              |                                   |        |             |     |          |
| All                      | Perkins 402C-05 Diesel            |        | 12          | 0.8 | 93599    |
| <b>T4-6</b>              |                                   |        |             |     |          |
| All                      | Perkins 402C-05 Diesel            |        | 12          | 0.8 | 93599    |
| <b>104</b>               |                                   |        |             |     |          |
| All                      | Perkins 102-05 Diesel             |        | 12          | 0.8 | 93599    |
| <b>10-40</b>             |                                   |        |             |     |          |
| All                      | Perkins 102-05 Diesel             |        | 12          | 0.8 | 93599    |
| <b>Thermo King</b>       |                                   |        |             |     |          |
| <b>TriPac</b>            |                                   |        |             |     |          |
| All                      | TK270                             |        | 12          | 1.2 | 93597    |
| <b>TriPac</b>            |                                   |        |             |     |          |
| All                      | Yanmar 2TNV70                     |        | 12          | 1.2 | 93597    |

# Transport Refrigeration Units

| <b>Alternators</b>                   |                                     | <b>Carrier Transicold Trailer Units</b> |             |            |                 |
|--------------------------------------|-------------------------------------|---|-------------|------------|-----------------|
| <b>Year</b>                          | <b>Engine</b>                       | <b>Option</b>                           | <b>Volt</b> | <b>Amp</b> | <b>Part No.</b> |
| <b>Eagle Plus</b>                    |                                     |   |             |            |                 |
| All                                  | Kubota CT4-114 (V1902) Diesel       |   | 12          | 37         | 93010           |
| All                                  | Kubota CT4-114 (V1902) Diesel       |   | 12          | 65         | 93073           |
| All                                  | Kubota CT4-134 (V2203) Diesel       |   | 12          | 37         | 93010           |
| All                                  | Kubota CT4-134 (V2203-DI) Diesel    |   | 12          | 37         | 93010           |
| All                                  | Kubota CT4-134 (V2203-DI) Diesel    |   | 12          | 65         | 93073           |
| All                                  | Kubota CT4-134-TV (V2203-TV) Diesel |   | 12          | 37         | 93010           |
| All                                  | Kubota CT4-134-TV (V2203-TV) Diesel |   | 12          | 65         | 93073           |
| <b>Europhoenix</b>                   |                                     |   |             |            |                 |
| All                                  | Kubota CT4-114 (V1902) Diesel       |   | 12          | 65         | 93075           |
| <b>Extra</b>                         |                                     |   |             |            |                 |
| All                                  | Kubota CT4-114-TV (V1902-TV) Diesel | Reg Pos 12:00                           | 12          | 65         | 93074           |
| All                                  | Kubota CT4-114-TV (V1902-TV) Diesel | Reg Pos 6:00                            | 12          | 65         | 93090           |
| All                                  | Kubota CT4-114-TV (V1902-TV) Diesel |   | 12          | 70         | 93105           |
| All                                  | Kubota CT4-114-TV (V1902-TV) Diesel |   | 12          | 105        | 93104           |
| All                                  | Kubota CT4-134-TV (V2203-TV) Diesel | Reg Pos 12:00                           | 12          | 65         | 93074           |
| All                                  | Kubota CT4-134-TV (V2203-TV) Diesel | Reg Pos 6:00                            | 12          | 65         | 93090           |
| All                                  | Kubota CT4-134-TV (V2203-TV) Diesel |   | 12          | 70         | 93105           |
| All                                  | Kubota CT4-134-TV (V2203-TV) Diesel |   | 12          | 105        | 93104           |
| <b>Genesis R70, R90</b>              |                                     |   |             |            |                 |
| All                                  | Kubota CT3-69-TV (D1105) Diesel     |   | 12          | 70         | 93076           |
| <b>Genesis TM900, TM1000, TR 100</b> |                                     |   |             |            |                 |
| All                                  | Kubota CT4-134-TV (V2203-TV) Diesel | Reg Pos 12:00                           | 12          | 65         | 93074           |
| All                                  | Kubota CT4-134-TV (V2203-TV) Diesel | Reg Pos 6:00                            | 12          | 65         | 93090           |
| All                                  | Kubota CT4-134 (V2203-DI)           |   | 12          | 70         | 93105           |
| All                                  | Kubota CT4-134 (V2203-DI)           | Reg Pos 10:00                           | 12          | 105        | 93104           |
| 2007-95                              | Kubota CT4-134 (V2203-DI)           | Reg Pos 12:00                           | 12          | 105        | 93091           |
| <b>Mistral Series</b>                |                                     |   |             |            |                 |
| All                                  | D600                                |   | 12          | 70         | 93078           |
| All                                  | EA300                               |   | 12          | 70         | 93076           |
| All                                  | Kubota CT3-52 (ZB600) Diesel        |   | 12          | 70         | 93078           |
| All                                  | Kubota CT3-57 (D950) Diesel         |   | 12          | 70         | 93078           |
| All                                  | ZB400                               |   | 12          | 70         | 93076           |
| <b>NDB40</b>                         |                                     |   |             |            |                 |
| All                                  | Perkins 4.108 Diesel                |   | 12          | 37         | 93010           |
| All                                  | Mercedes OM636 Diesel               |   | 12          | 37         | 93010           |

# Transport Refrigeration Units

| Carrier Transicold Trailer Units |                                     |               | Alternators |     |          |
|----------------------------------|-------------------------------------|---------------|-------------|-----|----------|
| Year                             | Engine                              | Option        | Volt        | Amp | Part No. |
| <b>NDE40</b>                     |                                     |               |             |     |          |
| All                              | Perkins 4.108 Diesel                |               | 12          | 37  | 93010    |
| <b>NDF40</b>                     |                                     |               |             |     |          |
| All                              | Kubota CT4-114 (V1902) Diesel       |               | 12          | 37  | 93010    |
| <b>NDJ40</b>                     |                                     |               |             |     |          |
| All                              | Kubota CT4-114 (V1902) Diesel       |               | 12          | 37  | 93010    |
| All                              | Perkins 4.108 Diesel                |               | 12          | 37  | 93010    |
| <b>NDS40, NDT40</b>              |                                     |               |             |     |          |
| All                              | Perkins 4.108 Diesel                |               | 12          | 37  | 93010    |
| <b>Optima</b>                    |                                     |               |             |     |          |
| All                              | CT4-91-TV 1.5L Diesel               |               | 12          | 65  | 93075    |
| <b>Optima NDA-94B</b>            |                                     |               |             |     |          |
| 2006-94                          | Kubota CT4-91-TV (V1505)            |               | 12          | 65  | 93101    |
| <b>Phoenix Advantage</b>         |                                     |               |             |     |          |
| All                              | All                                 |               | 12          | 37  | 93010    |
| <b>Phoenix Ultra</b>             |                                     |               |             |     |          |
| All                              | Kubota CT4-134-TV (V2203-TV) Diesel |               | 12          | 65  | 93075    |
| 2006-94                          | Kubota CT4-134 (V2203-DI)           |               | 12          | 65  | 93101    |
| 2006-94                          | Kubota CT4-134 (V2203-DI)           |               | 12          | 105 | 93091    |
| <b>Phoenix Ultra XL</b>          |                                     |               |             |     |          |
| All                              | Kubota CT4-134 (V2203-DI) Diesel    | Reg Pos 12:00 | 12          | 65  | 93074    |
| All                              | Kubota CT4-134 (V2203-DI) Diesel    | Reg Pos 6:00  | 12          | 65  | 93090    |
| 2006-94                          | Kubota CT4-134 (V2203-DI) Diesel    | Reg Pos 10:00 | 12          | 65  | 93101    |
| All                              | Kubota CT4-134 (V2203-DI) Diesel    |               | 12          | 70  | 93105    |
| All                              | Kubota CT4-134 (V2203-DI) Diesel    |               | 12          | 105 | 93104    |
| <b>Solara</b>                    |                                     |               |             |     |          |
| 2006-94                          | Kubota CT2-29-TV (Z482)             |               | 12          | 37  | 93100    |
| 2006-94                          | Kubota CT2-29-TV (Z482)             |               | 12          | 65  | 93101    |
| <b>Supra</b>                     |                                     |               |             |     |          |
| 2007-96                          | Kubota CT2-29-TV (Z482)             |               | 12          | 65  | 93101    |
| 2006-94                          | Kubota CT3-44-TV (D722)             |               | 12          | 65  | 93101    |
| <b>Thunderbird</b>               |                                     |               |             |     |          |
| All                              | Kubota CT4-114-TV (V1902) Diesel    |               | 12          | 37  | 93010    |
| All                              | Kubota CT4-114-TV (V1902) Diesel    |               | 12          | 65  | 93073    |
| All                              | Kubota CT4-114 (V1902-DI) Diesel    |               | 12          | 37  | 93010    |
| All                              | Kubota CT4-114 (V1902-DI) Diesel    |               | 12          | 65  | 93073    |



# Transport Refrigeration Units

| <b>Alternators</b>          |                                   | <b>Carrier Transicold Trailer Units</b> |             |            |                 |
|-----------------------------|-----------------------------------|---|-------------|------------|-----------------|
| <b>Year</b>                 | <b>Engine</b>                     | <b>Option</b>                           | <b>Volt</b> | <b>Amp</b> | <b>Part No.</b> |
| <b>UDE Series</b>           |                                   |   |             |            |                 |
| All                         | Kubota CT4-114 (V1902) Diesel     |   | 12          | 37         | 93010           |
| <b>UDG Series</b>           |                                   |   |             |            |                 |
| All                         | Kubota CT4-114 (V1902) Diesel     |   | 12          | 37         | 93010           |
| All                         | Mercedes OM636 Diesel             |   | 12          | 37         | 93010           |
| All                         | Perkins 4.108 Diesel              |   | 12          | 37         | 93010           |
| <b>Ultima 53</b>            |                                   |   |             |            |                 |
| All                         | Kubota CT4-134 (V2203-DI)         |   | 12          | 70         | 93105           |
| All                         | Kubota CT4-134 (V2203-DI)         |   | 12          | 105        | 93104           |
| 2007-96                     | Kubota CT4-134 (V2203-DI)         |   | 12          | 65         | 93101           |
| <b>Various Applications</b> |                                   |   |             |            |                 |
| All                         | Various Engines                   |   | 12          | 70         | 93106           |
| <b>Alternators</b>          |                                   | <b>Carrier Transicold Truck Units</b>   |             |            |                 |
| <b>King Bird</b>            |                                   |   |             |            |                 |
| 2001-89                     | Kubota CT3-57 (D950) Diesel       |   | 12          | 70         | 93078           |
| <b>MD, RD, TD Series</b>    |                                   |   |             |            |                 |
| All                         | All                               |   | 12          | 65         | 93088           |
| <b>Silver Hawk</b>          |                                   |   |             |            |                 |
| 1992-80                     | Kubota CT2-35 Diesel              |   | 12          | 70         | 93078           |
| <b>Starbird</b>             |                                   |   |             |            |                 |
| 2000-89                     | Kubota CT3-37 (D600) Diesel       |   | 12          | 70         | 93078           |
| <b>Starbird Plus</b>        |                                   |   |             |            |                 |
| 2005-93                     | Kubota CT3-44 (D722) Diesel       |   | 12          | 70         | 93078           |
| <b>Sunbird</b>              |                                   |   |             |            |                 |
| 2005-93                     | Kubota CT2-35 (Z600) Diesel       |   | 12          | 70         | 93078           |
| <b>Supra Series</b>         |                                   |   |             |            |                 |
| All                         | Kubota CT3-44-TV (D722-TV) Diesel |   | 12          | 65         | 93090           |
| All                         | Kubota CT3-69-TV (D1105) Diesel   |   | 12          | 65         | 93090           |
| <b>Alternators</b>          |                                   | <b>Thermo King Trailer Units</b>        |             |            |                 |
| <b>HK, HK-II, HK-III</b>    |                                   |   |             |            |                 |
| 1992-0n                     | TK 2.49 Diesel                    |   | 12          | 23         | 93081           |
| 1992-0n                     | TK 2.49 Diesel                    | Reg Pos 12:00                           | 12          | 37         | 93087           |
| 1992-0n                     | TK 2.49 Diesel                    |   | 12          | 65         | 93080           |
| 2004-92                     | TK 2.49 Diesel                    | Reg Pos 6:00                            | 12          | 37         | 93103           |

# Transport Refrigeration Units

| Thermo King Trailer Units    |                                  |               | Alternators |     |          |
|------------------------------|----------------------------------|---------------|-------------|-----|----------|
| Year                         | Engine                           | Option        | Volt        | Amp | Part No. |
| <b>HK-30, 60, 100</b>        |                                  |               |             |     |          |
| 1980-On                      | TK 2.44 Diesel                   | Reg Pos 12:00 | 12          | 37  | 93087    |
| 1980-On                      | TK 2.44 Diesel                   |               | 12          | 65  | 93080    |
| 2001-80                      | TK 2.44 Diesel                   | Reg Pos 6:00  | 12          | 37  | 93103    |
| <b>LND 30</b>                |                                  |               |             |     |          |
| 1983-On                      | Yanmar 353 (TK 3.53) Diesel      |               | 12          | 37  | 93049    |
| 1983-On                      | Yanmar 353 (TK 3.53) Diesel      |               | 12          | 51  | 93079    |
| <b>LND 50</b>                |                                  |               |             |     |          |
| 1991-On                      | Yanmar 353 (TK 3.53) Diesel      |               | 12          | 65  | 93070    |
| <b>SB-190</b>                |                                  |               |             |     |          |
| 1999-On                      | Isuzu 2.2L (TK DI2.2 -SE) Diesel |               | 12          | 65  | 93070    |
| <b>SB-200, 210, 300, 310</b> |                                  |               |             |     |          |
| All                          | Yanmar 486 (TK 4.86) Diesel      |               | 12          | 65  | 93070    |
| <b>SB-I</b>                  |                                  |               |             |     |          |
| 1981-74                      | Isuzu 2.0L (TK C201) Diesel      |               | 12          | 51  | 93079    |
| 1981-74                      | Isuzu 2.2L (TK DI2.2 -SE) Diesel |               | 12          | 51  | 93079    |
| <b>SB-II</b>                 |                                  |               |             |     |          |
| 1991-On                      | Isuzu 2.0L (TK C201) Diesel      |               | 12          | 65  | 93070    |
| 1984-On                      | Isuzu 2.0L (TK C201) Diesel      |               | 12          | 37  | 93087    |
| 1984-On                      | Isuzu 2.0L (TK C201) Diesel      |               | 12          | 65  | 93080    |
| 1980-On                      | Isuzu 2.0L (TK C201) Diesel      |               | 12          | 37  | 93049    |
| 1980-On                      | Isuzu 2.0L (TK C201) Diesel      |               | 12          | 51  | 93079    |
| 1991-On                      | Isuzu 2.2L (TK DI2.2 -SE) Diesel |               | 12          | 65  | 93070    |
| 1984-On                      | Isuzu 2.2L (TK DI2.2 -SE) Diesel | Reg Pos 12:00 | 12          | 37  | 93087    |
| 1980-On                      | Isuzu 2.2L (TK DI2.2 -SE) Diesel |               | 12          | 37  | 93049    |
| 1980-On                      | Isuzu 2.2L (TK DI2.2 -SE) Diesel |               | 12          | 51  | 93079    |
| 2001-89                      | Isuzu 2.2L (TK DI2.2 -SE) Diesel | Reg Pos 6:00  | 12          | 37  | 93103    |
| 2001-80                      | Isuzu 2.0L (TK C201) Diesel      |               | 12          | 37  | 93103    |
| <b>SB-II Max</b>             |                                  |               |             |     |          |
| 1991-On                      | Isuzu 2.2L (TK DI2.2 -SE) Diesel |               | 12          | 65  | 93070    |
| <b>SB-II SR</b>              |                                  |               |             |     |          |
| 1991-On                      | Isuzu 2.2L (TK DI2.2 -SE) Diesel |               | 12          | 65  | 93070    |
| 1998-On                      | Yanmar 486 (TK 4.86) Diesel      |               | 12          | 65  | 93070    |

# Transport Refrigeration Units

| <b>Alternators</b>                |                                  | <b>Thermo King Trailer Units</b> |             |            |                 |
|-----------------------------------|----------------------------------|----------------------------------|-------------|------------|-----------------|
| <b>Year</b>                       | <b>Engine</b>                    | <b>Option</b>                    | <b>Volt</b> | <b>Amp</b> | <b>Part No.</b> |
| <b>SB-III</b>                     |                                  |                                  |             |            |                 |
| 1990-On                           | Isuzu 2.0L (TK C201) Diesel      |                                  | 12          | 23         | 93081           |
| 2002-89                           | Isuzu 2.0L (TK C201) Diesel      |                                  | 12          | 37         | 93103           |
| 1989-80                           | Isuzu 2.0L (TK C201) Diesel      |                                  | 12          | 51         | 93079           |
| 1990-On                           | Isuzu 2.2L (TK DI2.2 -SE) Diesel |                                  | 12          | 23         | 93081           |
| 1989-80                           | Isuzu 2.2L (TK DI2.2 -SE) Diesel |                                  | 12          | 51         | 93079           |
| 2002-89                           | Isuzu 2.2L (TK DI2.2 -SE) Diesel |                                  | 12          | 37         | 93103           |
| <b>SB-III Max</b>                 |                                  |                                  |             |            |                 |
| 1991-On                           | Isuzu 2.0L (TK C201) Diesel      |                                  | 12          | 65         | 93070           |
| 1991-On                           | Isuzu 2.2L (TK DI2.2 -SE) Diesel |                                  | 12          | 65         | 93070           |
| <b>SB-III SR</b>                  |                                  |                                  |             |            |                 |
| 1999-On                           | Yanmar 486 (TK 4.86) Diesel      |                                  | 12          | 65         | 93070           |
| 1999-On                           | Yanmar 486 (TK 4.86) Diesel      |                                  | 12          | 120        | 93082           |
| 1993-On                           | Isuzu 2.2L (TK DI2.2 -SE) Diesel |                                  | 12          | 65         | 93070           |
| <b>SDZ</b>                        |                                  |                                  |             |            |                 |
| 1991-On                           | All                              |                                  | 12          | 65         | 93070           |
| <b>Sentry</b>                     |                                  |                                  |             |            |                 |
| 1985-On                           | Isuzu 2.0L (TK C201) Diesel      |                                  | 12          | 37         | 93049           |
| 1985-On                           | Isuzu 2.0L (TK C201) Diesel      |                                  | 12          | 51         | 93079           |
| 1991-On                           | Isuzu 2.2L (TK DI2.2 -SE) Diesel |                                  | 12          | 65         | 93070           |
| 1989-On                           | Isuzu 2.2L (TK DI2.2 -SE) Diesel |                                  | 12          | 23         | 93081           |
| 1989-On                           | Isuzu 2.2L (TK DI2.2 -SE) Diesel |                                  | 12          | 65         | 93080           |
| 1985-On                           | Isuzu 2.2L (TK DI2.2 -SE) Diesel | Reg Pos 12:00                    | 12          | 37         | 93049           |
| 1985-On                           | Isuzu 2.2L (TK DI2.2 -SE) Diesel |                                  | 12          | 51         | 93079           |
| 1988-83                           | Isuzu 2.2L (TK DI2.2 -SE) Diesel | Reg Pos 6:00                     | 12          | 37         | 93103           |
| <b>Sentry I</b>                   |                                  |                                  |             |            |                 |
| 1999-87                           | Isuzu 2.2L (TK DI2.2 -SE)        |                                  | 12          | 37         | 93103           |
| <b>SL 100, 200, 300, 400, SR2</b> |                                  |                                  |             |            |                 |
| All                               | Yanmar 486 (TK 4.86) Diesel      |                                  | 12          | 65         | 93070           |
| <b>SMX, SMX II, SMX SR</b>        |                                  |                                  |             |            |                 |
| 1991-On                           | All                              |                                  | 12          | 65         | 93070           |
| <b>SNWD</b>                       |                                  |                                  |             |            |                 |
| 1974-On                           | All                              |                                  | 12          | 51         | 93079           |

# Transport Refrigeration Units

| Thermo King Trailer Units |                                  |               | Alternators |     |          |
|---------------------------|----------------------------------|---------------|-------------|-----|----------|
| Year                      | Engine                           | Option        | Volt        | Amp | Part No. |
| <b>Super Max</b>          |                                  |               |             |     |          |
| 1999-87                   | Isuzu 2.2L (TK DI2.2 -SE)        |               | 12          | 37  | 93103    |
| <b>Super II</b>           |                                  |               |             |     |          |
| 1983-On                   | Isuzu 2.0L (TK C201) Diesel      | Reg Pos 12:00 | 12          | 37  | 93087    |
| 2001-89                   | Isuzu 2.0L (TK C201) Diesel      | Reg Pos 6:00  | 12          | 37  | 93103    |
| 1983-On                   | Isuzu 2.0L (TK C201) Diesel      |               | 12          | 65  | 93080    |
| 1991-On                   | Isuzu 2.2L (TK DI2.2 -SE) Diesel |               | 12          | 65  | 93070    |
| 1983-On                   | Isuzu 2.2L (TK DI2.2 -SE) Diesel | Reg Pos 12:00 | 12          | 37  | 93087    |
| 1983-On                   | Isuzu 2.2L (TK DI2.2 -SE) Diesel |               | 12          | 65  | 93080    |
| 1988-83                   | Isuzu 2.2L (TK DI2.2 -SE) Diesel | Reg Pos 6:00  | 12          | 37  | 93103    |
| <b>Super II Max</b>       |                                  |               |             |     |          |
| 1989-On                   | Isuzu 2.2L (TK DI2.2 -SE) Diesel |               | 12          | 23  | 93081    |
| 1989-On                   | Isuzu 2.2L (TK DI2.2 -SE) Diesel | Reg Pos 12:00 | 12          | 37  | 93087    |
| 2001-89                   | Isuzu 2.2L (TK DI2.2 -SE) Diesel | Reg Pos 6:00  | 12          | 37  | 93103    |
| 1989-On                   | Isuzu 2.2L (TK DI2.2 -SE) Diesel |               | 12          | 65  | 93080    |
| 2001-83                   | Isuzu 2.0L (TK C201) Diesel      |               | 12          | 37  | 93103    |
| <b>Super II SR</b>        |                                  |               |             |     |          |
| 1991-On                   | Isuzu 2.2L (TK DI2.2 -SE) Diesel |               | 12          | 65  | 93070    |
| <b>Super II TC</b>        |                                  |               |             |     |          |
| 1991-On                   | Isuzu 2.2L (TK DI2.2 -SE) Diesel |               | 12          | 65  | 93070    |
| 1999-On                   | Yanmar 486 (TK 4.86) Diesel      |               | 12          | 65  | 93070    |
| 1999-On                   | Yanmar 486 (TK 4.86) Diesel      |               | 12          | 120 | 93082    |
| <b>Super NWD</b>          |                                  |               |             |     |          |
| 1984-On                   | Isuzu 2.0L (TK C201) Diesel      |               | 12          | 37  | 93049    |
| 1984-On                   | Isuzu 2.0L (TK C201) Diesel      |               | 12          | 51  | 93079    |
| 1984-On                   | Isuzu 2.2L (TK DI2.2 -SE) Diesel |               | 12          | 37  | 93049    |
| 1984-On                   | Isuzu 2.2L (TK DI2.2 -SE) Diesel |               | 12          | 51  | 93079    |
| <b>TD-I</b>               |                                  |               |             |     |          |
| 1980-On                   | Isuzu 2.2L (TK DI2.2 -SE) Diesel |               | 12          | 37  | 93049    |
| 1980-On                   | Isuzu 2.2L (TK DI2.2 -SE) Diesel |               | 12          | 51  | 93079    |

# Transport Refrigeration Units

| <b>Alternators</b> |                                  | <b>Thermo King Trailer Units</b> |             |            |                 |
|--------------------|----------------------------------|----------------------------------|-------------|------------|-----------------|
| <b>Year</b>        | <b>Engine</b>                    | <b>Option</b>                    | <b>Volt</b> | <b>Amp</b> | <b>Part No.</b> |
| <b>TD-II</b>       |                                  |                                  |             |            |                 |
| 1980-On            | Isuzu 2.2L (TK DI2.2 -SE) Diesel |                                  | 12          | 37         | 93049           |
| 1980-On            | Isuzu 2.2L (TK DI2.2 -SE) Diesel |                                  | 12          | 51         | 93079           |
| 1989-On            | Yanmar 388 (TK 3.88) Diesel      |                                  | 12          | 23         | 93081           |
| 1989-On            | Yanmar 388 (TK 3.88) Diesel      |                                  | 12          | 37         | 93087           |
| 1989-On            | Yanmar 388 (TK 3.88) Diesel      |                                  | 12          | 65         | 93080           |
| 2001-80            | TK 3.88 Diesel                   |                                  | 12          | 37         | 93103           |
| <b>UMD</b>         |                                  |                                  |             |            |                 |
| All                | Kubota Diesel                    |                                  | 12          | 40         | 93019           |
| <b>URD</b>         |                                  |                                  |             |            |                 |
| 1996-On            | Yanmar 353 (TK 3.53) Diesel      |                                  | 12          | 90         | 93083           |
| <b>URD 25</b>      |                                  |                                  |             |            |                 |
| 1998-86            | Yanmar 353 (TK 3.53) Diesel      |                                  | 12          | 105        | 93102           |
| <b>URD-III Max</b> |                                  |                                  |             |            |                 |
| 1996-On            | Yanmar 395 (TK 3.95) Diesel      |                                  | 12          | 90         | 93083           |

| <b>Alternators</b>           |                             | <b>Thermo King Truck Units</b> |    |    |       |
|------------------------------|-----------------------------|--------------------------------|----|----|-------|
| <b>KD-II</b>                 |                             |                                |    |    |       |
| 2001-80                      | TK 3.66 Diesel              |                                | 12 | 37 | 93103 |
| <b>MD-II TCI</b>             |                             |                                |    |    |       |
| All                          | Yanmar 366 (TK 3.66) Diesel |                                | 12 | 65 | 93088 |
| <b>RD-I</b>                  |                             |                                |    |    |       |
| 2001-89                      | Yanmar 353 (TK 3.53) Diesel |                                | 12 | 37 | 93103 |
| <b>RD-II TCI</b>             |                             |                                |    |    |       |
| All                          | Yanmar 395 (TK 3.95) Diesel |                                | 12 | 65 | 93088 |
| <b>TS-200, 300, 400, 500</b> |                             |                                |    |    |       |
| All                          | Yanmar 374 (TK 3.74) Diesel |                                | 12 | 37 | 93087 |

# Transport Refrigeration Units

| Carrier Transicold Trailer Units            |                                     |        |      | Starters |          |
|---|-------------------------------------|--------|------|----------|----------|
| Year  | Engine                              | Option | Volt | kW       | Part No. |
| <b>Eagle Plus</b>                           |                                     |        |      |          |          |
| All   | Kubota CT4-114 (V1902) Diesel       |        | 12   | 1.4      | 93549    |
| All   | Kubota CT4-114 (V1902-DI) Diesel    |        | 12   | 1.4      | 93549    |
| All   | Kubota CT4-134 (V2203) Diesel       |        | 12   | 1.4      | 93549    |
| All   | Kubota CT4-134 (V2203-DI) Diesel    |        | 12   | 1.4      | 93549    |
| All   | Kubota CT4-134-TV (V2203-TV) Diesel |        | 12   | 1.4      | 93549    |
| <b>Europhoenix</b>                          |                                     |        |      |          |          |
| All   | Kubota CT4-114 (V1902) Diesel       |        | 12   | 1.4      | 93549    |
| <b>Extra</b>                                |                                     |        |      |          |          |
| All   | Kubota CT4-114 (V1902) Diesel       |        | 12   | 1.4      | 93588    |
| All   | Kubota CT4-114 (V1902) Diesel       |        | 12   | 2.2      | 93589    |
| All   | Kubota CT4-114 (V1902) Diesel       |        | 12   | 2.0      | 93590    |
| All   | Kubota CT4-114-TV (V1902-TV) Diesel |        | 12   | 2.0      | 93590    |
| All   | Kubota CT4-134-TV (V2203-TV) Diesel |        | 12   | 1.4      | 93588    |
| All   | Kubota CT4-134-TV (V2203-TV) Diesel |        | 12   | 2.2      | 93589    |
| <b>Genesis R70</b>                          |                                     |        |      |          |          |
| All   | Kubota CT3-44 (D722E) Diesel        |        | 12   | 1.4      | 93549    |
| <b>Genesis TM900, 1000</b>                  |                                     |        |      |          |          |
| All   | Kubota CT4-134 (V2203-DI) Diesel    |        | 12   | 1.4      | 93588    |
| All   | Kubota CT4-134 (V2203-DI) Diesel    |        | 12   | 2.2      | 93589    |
| All   | Kubota CT4-134 (V2203-DI) Diesel    |        | 12   | 2.0      | 93590    |
| <b>Genesis TR100</b>                        |                                     |        |      |          |          |
| All   | Kubota CT4-134 (V2203-DI) Diesel    |        | 12   | 1.4      | 93588    |
| All   | Kubota CT4-134 (V2203-DI) Diesel    |        | 12   | 2.2      | 93589    |
| All   | Kubota CT4-134 (V2203-DI) Diesel    |        | 12   | 2.0      | 93590    |
| <b>Maxima</b>                               |                                     |        |      |          |          |
| All   | CT4-91-TV 1.5L Diesel               |        | 12   | 1.4      | 99746    |
| <b>Mistral 410</b>                          |                                     |        |      |          |          |
| All   | Kubota ZB400                        |        | 12   | 1.4      | 93594    |
| <b>Mistral 700, 710</b>                     |                                     |        |      |          |          |
| All   | Kubota D600                         |        | 12   | 1.4      | 93594    |
| <b>Mistral 500, 605, 610, 650, 800, 900</b> |                                     |        |      |          |          |
| All   | Kubota CT3-52 (ZB600) Diesel        |        | 12   | 1.4      | 93594    |
| <b>NDB40, NDF40, NDJ40, NDS40</b>           |                                     |        |      |          |          |
| All   | Kubota CT4-114 (V1902) Diesel       |        | 12   | 1.4      | 93594    |

# Transport Refrigeration Units

| <b>Starters</b>                           |                                    | <b>Carrier Transicold Trailer Units</b> |             |           |                 |
|---|------------------------------------|---|-------------|-----------|-----------------|
| <b>Year</b>                               | <b>Engine</b>                      | <b>Option</b>                           | <b>Volt</b> | <b>kW</b> | <b>Part No.</b> |
| <b>Optima</b>                             |                                    |   |             |           |                 |
| All                                       | CT4-91-TV 1.5L Diesel              |   | 12          | 1.4       | 99746           |
| <b>Phoenix Advantage</b>                  |                                    |   |             |           |                 |
| All                                       | All                                |   | 12          | 1.4       | 93594           |
| <b>Phoenix Ultra</b>                      |                                    |   |             |           |                 |
| All                                       | Kubota CT4-134 (V2203-DI) Diesel   |   | 12          | 1.4       | 93588           |
| All                                       | Kubota CT4-134 (V2203-DI) Diesel   |   | 12          | 2.2       | 93589           |
| All                                       | Kubota CT4-134 (V2203-DI) Diesel   |   | 12          | 2.0       | 93590           |
| All                                       | Kubota CT4-134 TV(V2203-TV) Diesel |   | 12          | 1.4       | 93588           |
| All                                       | Kubota CT4-134 TV(V2203-TV) Diesel |   | 12          | 2.2       | 93589           |
| All                                       | Kubota CT4-134 TV(V2203-TV) Diesel |   | 12          | 2.0       | 93590           |
| <b>Phoenix Ultra XL</b>                   |                                    |   |             |           |                 |
| All                                       | Kubota CT4-134 (V2203-DI) Diesel   |   | 12          | 1.4       | 93588           |
| All                                       | Kubota CT4-134 (V2203-DI) Diesel   |   | 12          | 2.2       | 93589           |
| All                                       | Kubota CT4-134 (V2203-DI) Diesel   |   | 12          | 2.0       | 93590           |
| <b>Supra 322, 422, 444, 522, 544, 550</b> |                                    |   |             |           |                 |
| All                                       | Kubota CT2-29-TV (D482-TV) Diesel  |   | 12          | 0.8       | 93595           |
| <b>Thunderbird</b>                        |                                    |   |             |           |                 |
| All                                       | Kubota CT2-29-TV (D482-TV) Diesel  |   | 12          | 0.8       | 93595           |
| <b>Starters</b>                           |                                    | <b>Thermo King Trailer Units</b>        |             |           |                 |
| <b>HK, HK-II, HK-III</b>                  |                                    |   |             |           |                 |
| 1992-On                                   | TK 2.49 Diesel                     |   | 12          | 1.4       | 93553           |
| <b>HK-30, 60, 100</b>                     |                                    |   |             |           |                 |
| 1980-On                                   | TK 2.44 Diesel                     |   | 12          | 1.4       | 93553           |
| <b>LND 30</b>                             |                                    |   |             |           |                 |
| 1983-On                                   | Yanmar 353 (TK 3.53) Diesel        |   | 12          | 1.4       | 93547           |
| <b>LND 50</b>                             |                                    |   |             |           |                 |
| 1991-On                                   | Yanmar 353 (TK 3.53) Diesel        |   | 12          | 1.4       | 93547           |
| <b>LND II 50</b>                          |                                    |   |             |           |                 |
| 1991-On                                   | Yanmar 388 (TK 3.88) Diesel        |   | 12          | 1.4       | 93550           |
| <b>SB-190</b>                             |                                    |   |             |           |                 |
| 1999-On                                   | Isuzu 2.2L (TK DI2.2 -SE) Diesel   |   | 12          | 2.2       | 93584           |
| <b>SB-200, 210, 300, 310</b>              |                                    |   |             |           |                 |
| 1999-On                                   | Yanmar 486 (TK 4.86) Diesel        |   | 12          | 2.0       | 93591           |

# Transport Refrigeration Units

| Thermo King Trailer Units        |                                  |               |      | Starters |          |
|----------------------------------|----------------------------------|---------------|------|----------|----------|
| Year                             | Engine                           | Option        | Volt | kW       | Part No. |
| <b>SB-I</b>                      |                                  |               |      |          |          |
| 1981-74                          | Isuzu 2.0L (TK C201) Diesel      |               | 12   | 2.0      | 93552    |
| 1981-74                          | Isuzu 2.2L (TK DI2.2 -SE) Diesel |               | 12   | 2.2      | 93584    |
| <b>SB-II</b>                     |                                  |               |      |          |          |
| 1980-On                          | Isuzu 2.0L (TK C201) Diesel      | w/Denso Str   | 12   | 2.0      | 93552    |
| 1980-On                          | Isuzu 2.0L (TK C201) Diesel      | w/Hitachi Str | 12   | 2.0      | 93593    |
| 1980-On                          | Isuzu 2.2L (TK DI2.2 -SE) Diesel |               | 12   | 2.2      | 93584    |
| <b>SB-II Max</b>                 |                                  |               |      |          |          |
| 1991-On                          | Isuzu 2.2L (TK DI2.2 -SE) Diesel |               | 12   | 2.2      | 93584    |
| <b>SB-II SR</b>                  |                                  |               |      |          |          |
| 1991-On                          | Isuzu 2.2L (TK DI2.2 -SE) Diesel |               | 12   | 2.2      | 93584    |
| 1998-On                          | Yanmar 486 (TK 4.86) Diesel      |               | 12   | 2.0      | 93591    |
| <b>SB-III</b>                    |                                  |               |      |          |          |
| 1989-80                          | Isuzu 2.0L (TK C201) Diesel      |               | 12   | 2.0      | 93593    |
| 1990-On                          | Isuzu 2.2L (TK DI2.2 -SE) Diesel |               | 12   | 2.2      | 93584    |
| <b>SB-III Max</b>                |                                  |               |      |          |          |
| 1991-On                          | Isuzu 2.0L (TK C201) Diesel      |               | 12   | 2.0      | 93593    |
| 1991-On                          | Isuzu 2.2L (TK DI2.2 -SE) Diesel |               | 12   | 2.2      | 93584    |
| <b>SB-III SR</b>                 |                                  |               |      |          |          |
| 1993-On                          | Isuzu 2.2L (TK DI2.2 -SE) Diesel |               | 12   | 2.2      | 93584    |
| 1993-On                          | Yanmar 486 (TK 4.86) Diesel      |               | 12   | 2.0      | 93591    |
| <b>SDZ</b>                       |                                  |               |      |          |          |
| 1991-On                          | Yanmar Diesel                    |               | 12   | 1.4      | 93553    |
| 1991-On                          | Kubota Z400 Diesel               |               | 12   | 1.4      | 93594    |
| <b>Sentry</b>                    |                                  |               |      |          |          |
| 1985-On                          | Isuzu 2.0L (TK C201) Diesel      | w/Denso Str   | 12   | 2.0      | 93552    |
| 1985-On                          | Isuzu 2.0L (TK C201) Diesel      | w/Hitachi Str | 12   | 2.0      | 93593    |
| All                              | Isuzu 2.2L (TK DI2.2 -SE) Diesel |               | 12   | 2.2      | 93584    |
| <b>SL 100, 200, 300, 400 SR2</b> |                                  |               |      |          |          |
| All                              | Yanmar 486 (TK 4.86) Diesel      |               | 12   | 2.0      | 93591    |
| <b>SMX, SMX II, SMX SR</b>       |                                  |               |      |          |          |
| 1991-On                          | All                              |               | 12   | 2.2      | 93584    |
| <b>SNWD</b>                      |                                  |               |      |          |          |
| 1974-On                          | All                              |               | 12   | 2.0      | 93593    |
| <b>Spectrum SB, SL</b>           |                                  |               |      |          |          |
| 2001-On                          | Yanmar 486 (TK 4.86) Diesel      |               | 12   | 2.0      | 93591    |

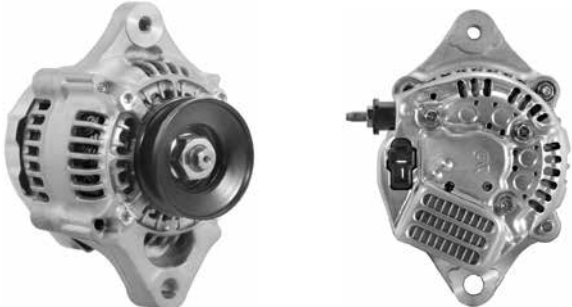


# Transport Refrigeration Units

| <b>Starters</b>     |                                  | <b>Thermo King Trailer Units</b> |             |           |                 |
|---------------------|----------------------------------|----------------------------------|-------------|-----------|-----------------|
| <b>Year</b>         | <b>Engine</b>                    | <b>Option</b>                    | <b>Volt</b> | <b>kW</b> | <b>Part No.</b> |
| <b>Super II</b>     |                                  |                                  |             |           |                 |
| 2001-On             | Isuzu 2.0L (TK C201) Diesel      |                                  | 12          | 2.0       | 93593           |
| 1983-On             | Isuzu 2.2L (TK DI2.2 -SE) Diesel |                                  | 12          | 2.2       | 93584           |
| <b>Super II Max</b> |                                  |                                  |             |           |                 |
| 1989-On             | Isuzu 2.2L (TK DI2.2 -SE) Diesel |                                  | 12          | 2.2       | 93584           |
| <b>Super II SR</b>  |                                  |                                  |             |           |                 |
| 1991-On             | Isuzu 2.2L (TK DI2.2 -SE) Diesel |                                  | 12          | 2.2       | 93584           |
| <b>Super II TC</b>  |                                  |                                  |             |           |                 |
| 1991-On             | Isuzu 2.2L (TK DI2.2 -SE) Diesel |                                  | 12          | 2.2       | 93584           |
| 1999-On             | Yanmar 486 (TK 4.86) Diesel      |                                  | 12          | 2.0       | 93591           |
| <b>Super NWD</b>    |                                  |                                  |             |           |                 |
| 1984-On             | Isuzu 2.0L (TK C201) Diesel      |                                  | 12          | 2.0       | 93593           |
| 1984-On             | Isuzu 2.2L (TK DI2.2 -SE) Diesel |                                  | 12          | 2.2       | 93584           |
| <b>TD-I</b>         |                                  |                                  |             |           |                 |
| 1980-On             | Isuzu 2.2L (TK DI2.2 -SE) Diesel |                                  | 12          | 2.2       | 93584           |
| <b>TD-II</b>        |                                  |                                  |             |           |                 |
| 1980-On             | Isuzu 2.2L (TK DI2.2 -SE) Diesel |                                  | 12          | 2.2       | 93584           |
| 1989-On             | Yanmar 388 (TK 3.88) Diesel      |                                  | 12          | 2.2       | 93584           |
| <b>URD</b>          |                                  |                                  |             |           |                 |
| 1996-On             | Yanmar 353 (TK 3.53) Diesel      |                                  | 12          | 1.4       | 93547           |
| <b>URD-III Max</b>  |                                  |                                  |             |           |                 |
| 1996-On             | Yanmar 395 (TK 3.95) Diesel      |                                  | 12          | 1.4       | 93553           |

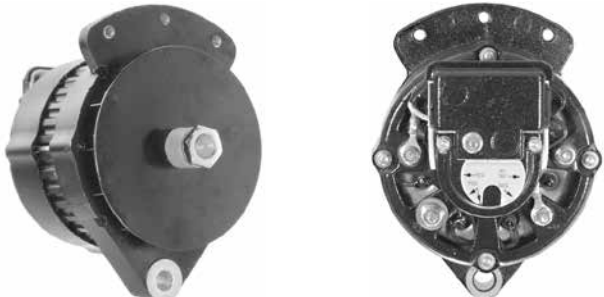
# Alternators - Buyer's Guide

|                    |              |                             |  |
|--------------------|--------------|-----------------------------|--|
| <b>Part No.</b>    | <b>93010</b> | <b>Make:</b>                |  |
| <b>Amp</b>         | 37           | <b>Carrier Transicold</b>   |  |
| <b>Reg</b>         | IR           |                             |  |
| <b>Mfr</b>         | PL           | <b>Model:</b>               |  |
| <b>Plug Clock</b>  | 12:00        | Eagle Plus, NDB40, NDE40,   |  |
| <b>Volt</b>        | 12           | NDF40, NDJ40, NDS40, NDT40, |  |
| <b>B+ Terminal</b> | ¼-20         | UDE Series, UDG Series      |  |
| <b>Rot</b>         | BI           |                             |  |

|                    |              |                    |  |
|--------------------|--------------|--------------------|--|
| <b>Part No.</b>    | <b>93019</b> | <b>Make:</b>       |  |
| <b>Amp</b>         | 40           | <b>Thermo King</b> |  |
| <b>Reg</b>         | IR           |                    |  |
| <b>Mfr</b>         | ND           | <b>Model:</b>      |  |
| <b>Plug Clock</b>  | 9:00         | UMD                |  |
| <b>Volt</b>        | 12           |                    |  |
| <b>B+ Terminal</b> | M6X1.0       |                    |  |
| <b>Rot</b>         | CW           |                    |  |

|                    |              |                              |   |
|--------------------|--------------|------------------------------|---|
| <b>Part No.</b>    | <b>93049</b> | <b>Make:</b>                 |  |
| <b>Amp</b>         | 37           | <b>Thermo King</b>           |   |
| <b>Reg</b>         | ER           |                              |   |
| <b>Mfr</b>         | PL           | <b>Model:</b>                |   |
| <b>Plug Clock</b>  | 12:00        | LND 30, SB-II, Sentry, Super |   |
| <b>Volt</b>        | 12           | NWD, TD-I, TD-II             |   |
| <b>B+ Terminal</b> | ¼-20         |                              |   |
| <b>Rot</b>         | CW           |                              |   |


|                    |              |   |  |
|--------------------|--------------|---|--|
| <b>Part No.</b>    | <b>93070</b> | <b>Make:</b>  |  |
| <b>Amp</b>         | 65           | <b>Thermo King</b>  |  |
| <b>Reg</b>         | IR           |   |  |
| <b>Mfr</b>         | BO           | <b>Model:</b>   |  |
| <b>Plug Clock</b>  | 12:00        | LND 50, SB-190, SB-200, SB-210,                                   |  |
| <b>Volt</b>        | 12           | SB-300, SB-310, SB-II, SB-II MAX,                                 |  |
| <b>B+ Terminal</b> | M6X1.0       | SB-II SR, SB-III MAX, SB-III SR, SDZ,                             |  |
| <b>Rot</b>         | CW           | Sentry, SL Series, SMX Series, Super II, Super II SR, Super II TC |  |

|                    |              |                           |  |
|--------------------|--------------|---------------------------|--|
| <b>Part No.</b>    | <b>93073</b> | <b>Make:</b>              |  |
| <b>Amp</b>         | 65           | <b>Carrier Transicold</b> |  |
| <b>Reg</b>         | IR           |                           |  |
| <b>Mfr</b>         | PL           | <b>Model:</b>             |  |
| <b>Plug Clock</b>  | 12:00        | Eagle Plus, Thunderbird   |  |
| <b>Volt</b>        | 12           |                           |  |
| <b>B+ Terminal</b> | ¼-20         |                           |  |
| <b>Rot</b>         | BI           |                           |  |

# Alternators - Buyer's Guide

|                    |              |                                |  |
|--------------------|--------------|--------------------------------|--|
| <b>Part No.</b>    | <b>93074</b> | <b>Make:</b>                   |  |
| <b>Amp</b>         | 65           | <b>Carrier Transicold</b>      |  |
| <b>Reg</b>         | IR           |                                |  |
| <b>Mfr</b>         | PL           | <b>Model:</b>                  |  |
| <b>Plug Clock</b>  | 12:00        | Extra, Genesis TR100, Genesis  |  |
| <b>Volt</b>        | 12           | TM900, Genesis TM1000, Phoenix |  |
| <b>B+ Terminal</b> | ¼-20         | Ultra XL, Ultima 53            |  |
| <b>Rot</b>         | BI           |                                |  |


|                    |              |                              |  |
|--------------------|--------------|------------------------------|--|
| <b>Part No.</b>    | <b>93075</b> | <b>Make:</b>                 |  |
| <b>Amp</b>         | 65           | <b>Carrier Transicold</b>    |  |
| <b>Reg</b>         | IR           |                              |  |
| <b>Mfr</b>         | PL           | <b>Model:</b>                |  |
| <b>Plug Clock</b>  | 12:00        | Europhoenix, Optima, Phoenix |  |
| <b>Volt</b>        | 12           | Ultra, Phoenix Ultra XL      |  |
| <b>B+ Terminal</b> | ¼-20         |                              |  |
| <b>Rot</b>         | BI           |                              |  |

|                    |              |                                   |   |
|--------------------|--------------|-----------------------------------|---|
| <b>Part No.</b>    | <b>93076</b> | <b>Make:</b>                      |  |
| <b>Amp</b>         | 70           | <b>Carrier Transicold</b>         |   |
| <b>Reg</b>         | IR           |                                   |   |
| <b>Mfr</b>         | VA           | <b>Model:</b>                     |   |
| <b>Plug Clock</b>  | 12:00        | Genesis R70, Genesis R90, Mistral |   |
| <b>Volt</b>        | 12           | 310, Mistral 410                  |   |
| <b>B+ Terminal</b> | M6X1.0       |                                   |   |
| <b>Rot</b>         | CCW          |                                   |   |

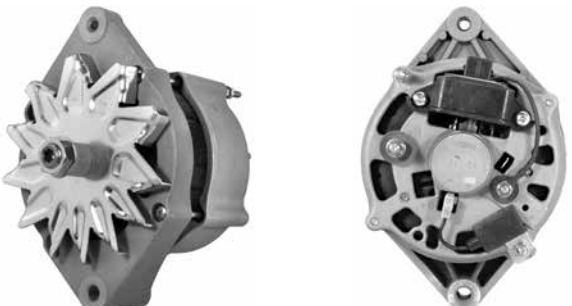
|                    |              |                              |  |
|--------------------|--------------|------------------------------|--|
| <b>Part No.</b>    | <b>93078</b> | <b>Make:</b>                 |  |
| <b>Amp</b>         | 70           | <b>Carrier Transicold</b>    |  |
| <b>Reg</b>         | IR           |                              |  |
| <b>Mfr</b>         | VA           | <b>Model:</b>                |  |
| <b>Plug Clock</b>  | 9:00         | Mistral Series, Supra Series |  |
| <b>Volt</b>        | 12           |                              |  |
| <b>B+ Terminal</b> | M6X1.0       |                              |  |
| <b>Rot</b>         | CCW          |                              |  |


|                    |              |                                      |  |
|--------------------|--------------|--------------------------------------|--|
| <b>Part No.</b>    | <b>93079</b> | <b>Make:</b>                         |  |
| <b>Amp</b>         | 51           | <b>Thermo King</b>                   |  |
| <b>Reg</b>         | ER           |                                      |  |
| <b>Mfr</b>         | PL           | <b>Model:</b>                        |  |
| <b>Plug Clock</b>  | 12:00        | LND 30, SB-I, SB-II, SB-III, Sentry, |  |
| <b>Volt</b>        | 12           | SNWD, Super NWD, TD-I, TD-II         |  |
| <b>B+ Terminal</b> | ¼-20         |                                      |  |
| <b>Rot</b>         | CW           |                                      |  |

# Alternators - Buyer's Guide

|                    |              |                                  |  |
|--------------------|--------------|----------------------------------|--|
| <b>Part No.</b>    | <b>93080</b> | <b>Make:</b>                     |  |
| <b>Amp</b>         | 65           | <b>Thermo King</b>               |  |
| <b>Reg</b>         | IR           |                                  |  |
| <b>Mfr</b>         | PL           | <b>Model:</b>                    |  |
| <b>Plug Clock</b>  | 12:00        | HK, HK-II, HK-III, HK-30, HK-60, |  |
| <b>Volt</b>        | 12           | HK-100, SB-II, Sentry, Super II, |  |
| <b>B+ Terminal</b> | ¼-20         | Super II MAX, TD-II              |  |
| <b>Rot</b>         | CW           |                                  |  |

|                    |              |                                    |  |
|--------------------|--------------|------------------------------------|--|
| <b>Part No.</b>    | <b>93081</b> | <b>Make:</b>                       |  |
| <b>Amp</b>         | 23           | <b>Thermo King</b>                 |  |
| <b>Reg</b>         | IR           |                                    |  |
| <b>Mfr</b>         | PL           | <b>Model:</b>                      |  |
| <b>Plug Clock</b>  | 6:00         | HK, HK-II, HK-III, SB-III, Sentry, |  |
| <b>Volt</b>        | 12           | Super II MAX, TD-II                |  |
| <b>B+ Terminal</b> | ¼-20         |                                    |  |
| <b>Rot</b>         | BI           |                                    |  |

|                    |              |                        |   |
|--------------------|--------------|------------------------|---|
| <b>Part No.</b>    | <b>93082</b> | <b>Make:</b>           |  |
| <b>Amp</b>         | 120          | <b>Thermo King</b>     |   |
| <b>Reg</b>         | IR           |                        |   |
| <b>Mfr</b>         | BO           | <b>Model:</b>          |   |
| <b>Plug Clock</b>  | 12:00        | SB-III SR, Super II TC |   |
| <b>Volt</b>        | 12           |                        |   |
| <b>B+ Terminal</b> | M6X1.0       |                        |   |
| <b>Rot</b>         | CW           |                        |   |

|                    |              |                    |  |
|--------------------|--------------|--------------------|--|
| <b>Part No.</b>    | <b>93083</b> | <b>Make:</b>       |  |
| <b>Amp</b>         | 90           | <b>Thermo King</b> |  |
| <b>Reg</b>         | IR           |                    |  |
| <b>Mfr</b>         | PL           | <b>Model:</b>      |  |
| <b>Plug Clock</b>  | 6:00         | URD, URD-III MAX   |  |
| <b>Volt</b>        | 12           |                    |  |
| <b>B+ Terminal</b> | ¼-20         |                    |  |
| <b>Rot</b>         | BI           |                    |  |

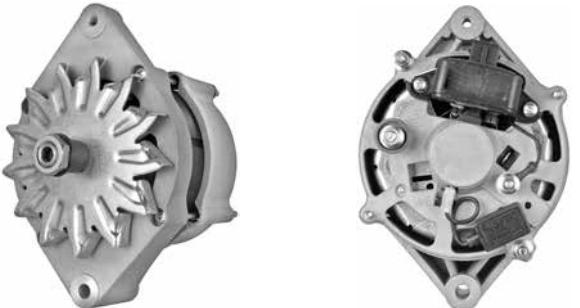
|                    |              |                                  |  |
|--------------------|--------------|----------------------------------|--|
| <b>Part No.</b>    | <b>93087</b> | <b>Make:</b>                     |  |
| <b>Amp</b>         | 37           | <b>Thermo King</b>               |  |
| <b>Reg</b>         | IR           |                                  |  |
| <b>Mfr</b>         | PL           | <b>Model:</b>                    |  |
| <b>Plug Clock</b>  | 12:00        | HK, HK-II, HK-III, HK-30, HK-60, |  |
| <b>Volt</b>        | 12           | HK-100, SB-II, Super II, Super   |  |
| <b>B+ Terminal</b> | ¼-20         | II MAX, TD-II, TS-200, TS-300,   |  |
| <b>Rot</b>         | BI           | TS-400, TS-500                   |  |

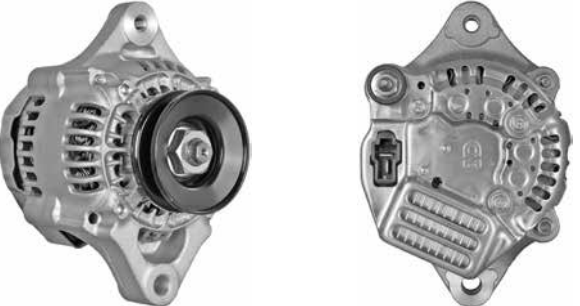
# Alternators - Buyer's Guide

|                    |              |                                  |  |
|--------------------|--------------|----------------------------------|--|
| <b>Part No.</b>    | <b>93088</b> | <b>Make:</b>                     |  |
| <b>Amp</b>         | 65           | <b>Thermo King</b>               |  |
| <b>Reg</b>         | IR           | <b>Carrier Transicold</b>        |  |
| <b>Mfr</b>         | PL           | <b>Model:</b>                    |  |
| <b>Plug Clock</b>  | 6:00         | MD-II TCI, RD-II TCI, MD, RD, TD |  |
| <b>Volt</b>        | 12           | Series                           |  |
| <b>B+ Terminal</b> | ¼-20         |                                  |  |
| <b>Rot</b>         | BI           |                                  |  |

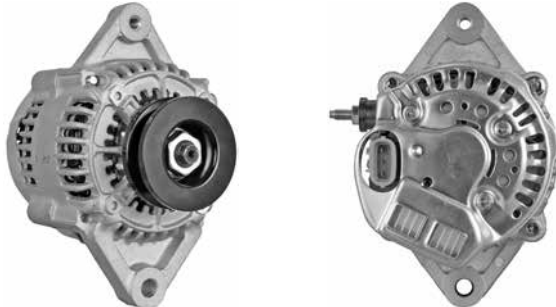
|                    |              |                                |  |
|--------------------|--------------|--------------------------------|--|
| <b>Part No.</b>    | <b>93090</b> | <b>Make:</b>                   |  |
| <b>Amp</b>         | 65           | <b>Carrier Transicold</b>      |  |
| <b>Reg</b>         | IR           |                                |  |
| <b>Mfr</b>         | PL           | <b>Model:</b>                  |  |
| <b>Plug Clock</b>  | 6:00         | Extra, Genesis TR100, Genesis  |  |
| <b>Volt</b>        | 12           | TM900, Genesis TM1000, Phoenix |  |
| <b>B+ Terminal</b> | ¼-20         | Ultra XL, Ultima 53            |  |
| <b>Rot</b>         | BI           |                                |  |

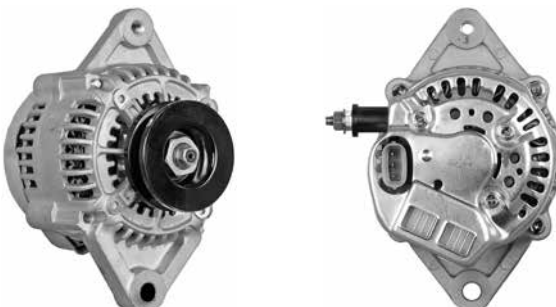
|                    |              |                                |   |
|--------------------|--------------|--------------------------------|---|
| <b>Part No.</b>    | <b>93091</b> | <b>Make:</b>                   |  |
| <b>Amp</b>         | 105          | <b>Carrier Transicold</b>      |   |
| <b>Reg</b>         | IR           |                                |   |
| <b>Mfr</b>         | LN           | <b>Model:</b>                  |   |
| <b>Plug Clock</b>  | 12:00        | Genesis TM900, Genesis TM1000, |   |
| <b>Volt</b>        | 12           | Genesis TR 100, Phoenix Ultra  |   |
| <b>B+ Terminal</b> | ¼-20         |                                |   |
| <b>Rot</b>         | CCW          |                                |   |

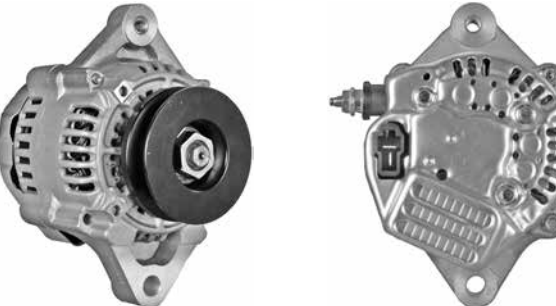
|                    |              |                    |  |
|--------------------|--------------|--------------------|--|
| <b>Part No.</b>    | <b>93095</b> | <b>Make:</b>       |  |
| <b>Amp</b>         | 65           | <b>Thermo King</b> |  |
| <b>Reg</b>         | IR           |                    |  |
| <b>Mfr</b>         | B0           | <b>Model:</b>      |  |
| <b>Plug Clock</b>  | 1:00         | TriPac             |  |
| <b>Volt</b>        | 12           |                    |  |
| <b>B+ Terminal</b> | M6X1.0       |                    |  |
| <b>Rot</b>         | CCW          |                    |  |

|                    |              |                           |  |
|--------------------|--------------|---------------------------|--|
| <b>Part No.</b>    | <b>93096</b> | <b>Make:</b>              |  |
| <b>Amp</b>         | 40           | <b>Carrier Transicold</b> |  |
| <b>Reg</b>         | IR           |                           |  |
| <b>Mfr</b>         | ND           | <b>Model:</b>             |  |
| <b>Plug Clock</b>  | 9:00         | ComfortPro PC5000         |  |
| <b>Volt</b>        | 12           |                           |  |
| <b>B+ Terminal</b> | M6X1.0       |                           |  |
| <b>Rot</b>         | CW           |                           |  |

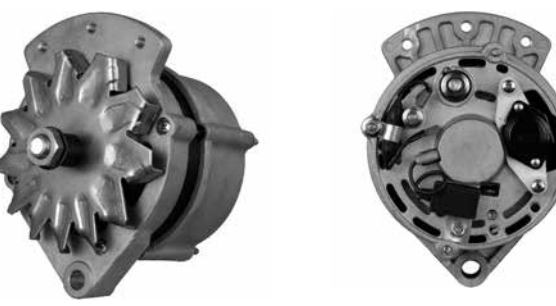
# Alternators - Buyer's Guide

|                    |              |                           |  |
|--------------------|--------------|---------------------------|--|
| <b>Part No.</b>    | <b>93097</b> | <b>Make:</b>              |  |
| <b>Amp</b>         | 60           | <b>Carrier Transicold</b> |  |
| <b>Reg</b>         | IR           |                           |  |
| <b>Mfr</b>         | ND           | <b>Model:</b>             |  |
| <b>Plug Clock</b>  | 9:00         | ComfortPro PC6000         |  |
| <b>Volt</b>        | 12           |                           |  |
| <b>B+ Terminal</b> | M6X1.0       |                           |  |
| <b>Rot</b>         | CW           |                           |  |

|                    |              |                  |  |
|--------------------|--------------|------------------|--|
| <b>Part No.</b>    | <b>93098</b> | <b>Make:</b>     |  |
| <b>Amp</b>         | 60           | <b>Rigmaster</b> |  |
| <b>Reg</b>         | IR           |                  |  |
| <b>Mfr</b>         | ND           | <b>Model:</b>    |  |
| <b>Plug Clock</b>  | 9:00         | 14-6, T4-6       |  |
| <b>Volt</b>        | 12           |                  |  |
| <b>B+ Terminal</b> | M6X1.0       |                  |  |
| <b>Rot</b>         | CW           |                  |  |

|                    |              |                  |   |
|--------------------|--------------|------------------|---|
| <b>Part No.</b>    | <b>93099</b> | <b>Make:</b>     |  |
| <b>Amp</b>         | 40           | <b>Rigmaster</b> |   |
| <b>Reg</b>         | IR           |                  |   |
| <b>Mfr</b>         | ND           | <b>Model:</b>    |   |
| <b>Plug Clock</b>  | 9:00         | 104, 10-40       |   |
| <b>Volt</b>        | 12           |                  |   |
| <b>B+ Terminal</b> | M6X1.0       |                  |   |
| <b>Rot</b>         | CW           |                  |   |

|                    |              |                           |  |
|--------------------|--------------|---------------------------|--|
| <b>Part No.</b>    | <b>93100</b> | <b>Make:</b>              |  |
| <b>Amp</b>         | 37           | <b>Carrier Transicold</b> |  |
| <b>Reg</b>         | IR           |                           |  |
| <b>Mfr</b>         | PL           | <b>Model:</b>             |  |
| <b>Plug Clock</b>  | 12:00        | Solara                    |  |
| <b>Volt</b>        | 12           |                           |  |
| <b>B+ Terminal</b> | 1/4-20       |                           |  |
| <b>Rot</b>         | BI           |                           |  |

|                    |              |   |  |
|--------------------|--------------|---|--|
| <b>Part No.</b>    | <b>93101</b> | <b>Make:</b>  |  |
| <b>Amp</b>         | 65           | <b>Carrier Transicold</b>   |  |
| <b>Reg</b>         | IR           |   |  |
| <b>Mfr</b>         | BO           | <b>Model:</b>   |  |
| <b>Plug Clock</b>  | 10:00        | Solara, Supra, Phoenix Ultra,<br>Phoenix Ultra XL, Ultima 53,<br>Optima NDA-94B |  |
| <b>Volt</b>        | 12           |   |  |
| <b>B+ Terminal</b> | M8X1.25      |   |  |
| <b>Rot</b>         | CW           |   |  |

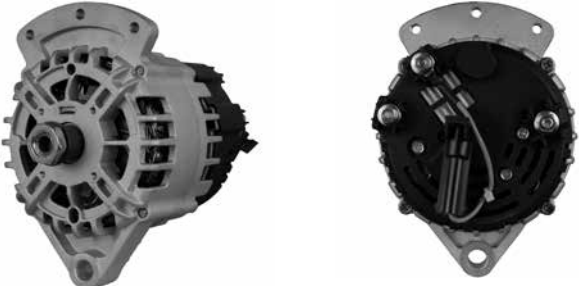
# Alternators - Buyer's Guide

|                    |              |                    |  |
|--------------------|--------------|--------------------|--|
| <b>Part No.</b>    | <b>93102</b> | <b>Make:</b>       |  |
| <b>Amp</b>         | 105          | <b>Thermo King</b> |  |
| <b>Reg</b>         | IR           |                    |  |
| <b>Mfr</b>         | PL           | <b>Model:</b>      |  |
| <b>Plug Clock</b>  | 6:00         | URD 25             |  |
| <b>Volt</b>        | 12           |                    |  |
| <b>B+ Terminal</b> | ¼-20         |                    |  |
| <b>Rot</b>         | BI           |                    |  |

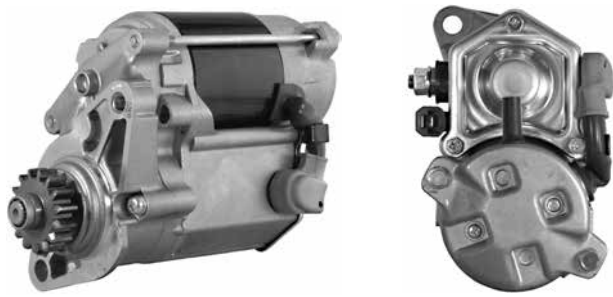
|                    |              |  |  |
|--------------------|--------------|--|--|
| <b>Part No.</b>    | <b>93103</b> | <b>Make:</b>   |  |
| <b>Amp</b>         | 37           | <b>Thermo King</b>   |  |
| <b>Reg</b>         | IR           |  |  |
| <b>Mfr</b>         | PL           | <b>Model:</b>  |  |
| <b>Plug Clock</b>  | 6:00         | HK, HK-II, HK-III, HK-30, 60, 100, TD-II, SB-II, SB-III, Sentry, Super-II, Super Max, Super-II Max |  |
| <b>Volt</b>        | 12           |  |  |
| <b>B+ Terminal</b> | ¼-20         |  |  |
| <b>Rot</b>         | BI           |  |  |


|                    |              |  |   |
|--------------------|--------------|--|---|
| <b>Part No.</b>    | <b>93104</b> | <b>Make:</b>   |  |
| <b>Amp</b>         | 105          | <b>Carrier Transicold</b>  |   |
| <b>Reg</b>         | IR           |  |   |
| <b>Mfr</b>         | VA           | <b>Model:</b>  |   |
| <b>Plug Clock</b>  | 10:00        | Extra, Genesis TM900, Genesis TM1000, Genesis TR100, Phoenix Ultra XL, Ultima 53 |   |
| <b>Volt</b>        | 12           |  |   |
| <b>B+ Terminal</b> | M6X1.0       |  |   |
| <b>Rot</b>         | CCW          |  |   |

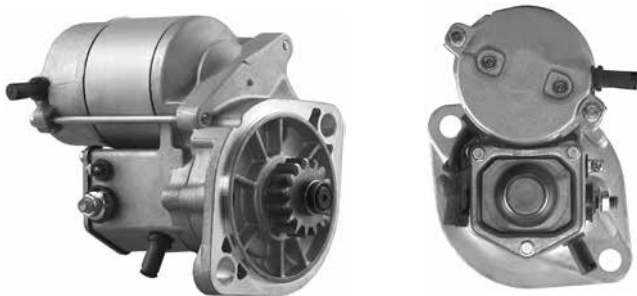
|                    |              |  |  |
|--------------------|--------------|--|--|
| <b>Part No.</b>    | <b>93105</b> | <b>Make:</b>   |  |
| <b>Amp</b>         | 70           | <b>Carrier Transicold</b>  |  |
| <b>Reg</b>         | IR           |  |  |
| <b>Mfr</b>         | VA           | <b>Model:</b>  |  |
| <b>Plug Clock</b>  | 10:00        | Extra, Genesis TM900, Genesis TM1000, Genesis TR100, Phoenix Ultra XL, Ultima 53 |  |
| <b>Volt</b>        | 12           |  |  |
| <b>B+ Terminal</b> | M6X1.0       |  |  |
| <b>Rot</b>         | CCW          |  |  |


|                    |              |                           |  |
|--------------------|--------------|---------------------------|--|
| <b>Part No.</b>    | <b>93106</b> | <b>Make:</b>              |  |
| <b>Amp</b>         | 70           | <b>Carrier Transicold</b> |  |
| <b>Reg</b>         | IR           |                           |  |
| <b>Mfr</b>         | VA           | <b>Model:</b>             |  |
| <b>Plug Clock</b>  | 10:30        | Various Models            |  |
| <b>Volt</b>        | 12           |                           |  |
| <b>B+ Terminal</b> | M6X1.0       |                           |  |
| <b>Rot</b>         | CW           |                           |  |


# Starters - Buyer's Guide

|                    |              |                     |  |
|--------------------|--------------|---------------------|--|
| <b>Part No.</b>    | <b>93547</b> | <b>Make:</b>        |  |
| <b>Mfr</b>         | ND           | <b>Thermo King</b>  |  |
| <b>Volt</b>        | 12           |                     |  |
| <b>kW</b>          | 1.4          | <b>Model:</b>       |  |
| <b>Teeth</b>       | 15           | LND 30, LND 50, URD |  |
| <b>Sw Terminal</b> | Spade        |                     |  |
| <b>Rot</b>         | CW           |                     |  |
| <b>B+ Terminal</b> | M8X1.25      |                     |  |

|                    |              |  |  |
|--------------------|--------------|--|--|
| <b>Part No.</b>    | <b>93549</b> | <b>Make:</b>   |  |
| <b>Mfr</b>         | ND           | <b>Carrier Transicold</b>  |  |
| <b>Volt</b>        | 12           |  |  |
| <b>kW</b>          | 1.4          | <b>Model:</b>  |  |
| <b>Teeth</b>       | 11           | Eagle Plus, Europhoenix, NDB40, NDF40, NDS40, Phoenix Advantage, Thunderbird, UDE Series, UDG Series |  |
| <b>Sw Terminal</b> | Spade        |  |  |
| <b>Rot</b>         | CW           |  |  |
| <b>B+ Terminal</b> | M8X1.25      |  |  |


|                    |              |                    |   |
|--------------------|--------------|--------------------|---|
| <b>Part No.</b>    | <b>93550</b> | <b>Make:</b>       |  |
| <b>Mfr</b>         | ND           | <b>Thermo King</b> |   |
| <b>Volt</b>        | 12           |                    |   |
| <b>kW</b>          | 1.4          | <b>Model:</b>      |   |
| <b>Teeth</b>       | 15           | LND II 50, TD-II   |   |
| <b>Sw Terminal</b> | M4X0.7       |                    |   |
| <b>Rot</b>         | CW           |                    |   |
| <b>B+ Terminal</b> | M8X1.25      |                    |   |


|                    |              |                     |  |
|--------------------|--------------|---------------------|--|
| <b>Part No.</b>    | <b>93552</b> | <b>Make:</b>        |  |
| <b>Mfr</b>         | ND           | <b>Thermo King</b>  |  |
| <b>Volt</b>        | 12           |                     |  |
| <b>kW</b>          | 2.0          | <b>Model:</b>       |  |
| <b>Teeth</b>       | 9            | SB-I, SB-II, Sentry |  |
| <b>Sw Terminal</b> | M4X0.7       |                     |  |
| <b>Rot</b>         | CW           |                     |  |
| <b>B+ Terminal</b> | M8X1.25      |                     |  |


|                    |              |   |  |
|--------------------|--------------|---|--|
| <b>Part No.</b>    | <b>93553</b> | <b>Make:</b>  |  |
| <b>Mfr</b>         | ND           | <b>Thermo King</b>  |  |
| <b>Volt</b>        | 12           |   |  |
| <b>kW</b>          | 1.4          | <b>Model:</b>   |  |
| <b>Teeth</b>       | 15           | HK, HK-II, HK-III, HK-30, HK-60, HK-100, SDZ, URD-III MAX |  |
| <b>Sw Terminal</b> | Spade        |   |  |
| <b>Rot</b>         | CW           |   |  |
| <b>B+ Terminal</b> | M8X1.25      |   |  |





# Starters - Buyer's Guide

|                    |              |  |  |
|--------------------|--------------|--|--|
| <b>Part No.</b>    | <b>93584</b> | <b>Make:</b>   |  |
| <b>Mfr</b>         | HI           | <b>Thermo King</b>   |  |
| <b>Volt</b>        | 12           |  |  |
| <b>kW</b>          | 2.2          | <b>Model:</b>  |  |
| <b>Teeth</b>       | 9            | SB-190, SB-I, SB-II, SB-II MAX,  |  |
| <b>Sw Terminal</b> | M4X0.7       | SB-II SR, SB-III, SB-III MAX, SB-III SR, Sentry, SMX, SMX II, SMX SR, Super II, Super II MAX, Super II SR, Super II TC, Super NWD, TD-I, TD-II |  |
| <b>B+ Terminal</b> | M8X1.25      |  |  |


|                    |              |   |  |
|--------------------|--------------|---|--|
| <b>Part No.</b>    | <b>93588</b> | <b>Make:</b>  |  |
| <b>Mfr</b>         | ND           | <b>Carrier Transicold</b>   |  |
| <b>Volt</b>        | 12           |   |  |
| <b>kW</b>          | 1.4          | <b>Model:</b>   |  |
| <b>Teeth</b>       | 9            | Extra, Genesis TM900, Genesis TM1000, Genesis TR100, Phoenix Ultra, Phoenix Ultra XL, Ultima 53 |  |
| <b>Sw Terminal</b> | Spade        |   |  |
| <b>B+ Terminal</b> | M8X1.25      |   |  |

|                    |              |   |   |
|--------------------|--------------|---|---|
| <b>Part No.</b>    | <b>93589</b> | <b>Make:</b>  |  |
| <b>Mfr</b>         | ND           | <b>Carrier Transicold</b>   |   |
| <b>Volt</b>        | 12           |   |   |
| <b>kW</b>          | 2.2          | <b>Model:</b>   |   |
| <b>Teeth</b>       | 9            | Extra, Genesis TM900, Genesis TM1000, Genesis TR100, Phoenix Ultra, Phoenix Ultra XL, Ultima 53 |   |
| <b>Sw Terminal</b> | 5 mm Spade   |   |   |
| <b>B+ Terminal</b> | M8X1.25      |   |   |

|                    |              |   |  |
|--------------------|--------------|---|--|
| <b>Part No.</b>    | <b>93590</b> | <b>Make:</b>  |  |
| <b>Mfr</b>         | ND           | <b>Carrier Transicold</b>   |  |
| <b>Volt</b>        | 12           |   |  |
| <b>kW</b>          | 2.0          | <b>Model:</b>   |  |
| <b>Teeth</b>       | 9            | Extra, Genesis TM900, Genesis TM1000, Genesis TR100, Phoenix Ultra, Phoenix Ultra XL, Ultima 53 |  |
| <b>Sw Terminal</b> | Spade        |   |  |
| <b>B+ Terminal</b> | M8X1.25      |   |  |

|                    |              |   |  |
|--------------------|--------------|---|--|
| <b>Part No.</b>    | <b>93591</b> | <b>Make:</b>  |  |
| <b>Mfr</b>         | HI           | <b>Thermo King</b>  |  |
| <b>Volt</b>        | 12           |   |  |
| <b>kW</b>          | 2.0          | <b>Model:</b>   |  |
| <b>Teeth</b>       | 9            | SB-200, SB-210, SB-300, SB-310, SB-II SR, SB-III SR, SL100, SL100E, SL200, SL200E, SL300, SL400, SL400 SR2, Spectrum SB, Spectrum SL, Super II TC |  |
| <b>Sw Terminal</b> | M4X0.7       |   |  |
| <b>B+ Terminal</b> | M8X1.25      |   |  |

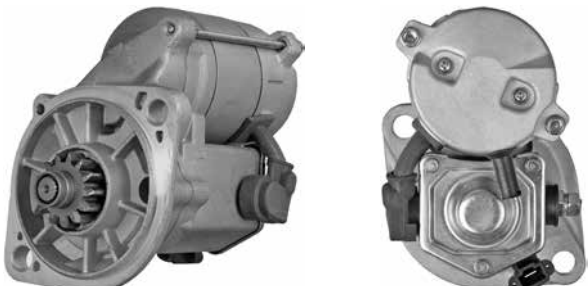
# Starters - Buyer's Guide

|                    |              |                    |  |
|--------------------|--------------|--------------------|--|
| <b>Part No.</b>    | <b>93592</b> | <b>Make:</b>       |  |
| <b>Mfr</b>         | HI           | <b>Thermo King</b> |  |
| <b>Volt</b>        | 12           |                    |  |
| <b>kW</b>          | 2.2          | <b>Model:</b>      |  |
| <b>Teeth</b>       | 9            | Yanmar Engines     |  |
| <b>Sw Terminal</b> | M4X0.7       |                    |  |
| <b>Rot</b>         | CW           |                    |  |
| <b>B+ Terminal</b> | M8X1.25      |                    |  |

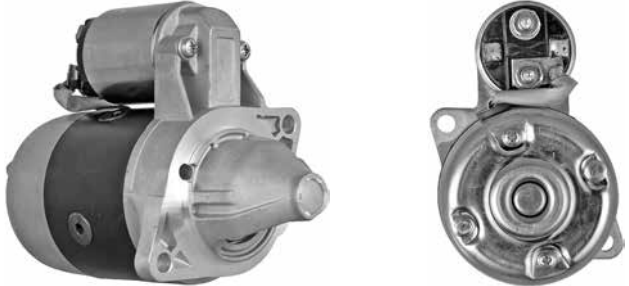
|                    |              |  |  |
|--------------------|--------------|--|--|
| <b>Part No.</b>    | <b>93593</b> | <b>Make:</b>   |  |
| <b>Mfr</b>         | HI           | <b>Thermo King</b>   |  |
| <b>Volt</b>        | 12           |  |  |
| <b>kW</b>          | 2.0          | <b>Model:</b>  |  |
| <b>Teeth</b>       | 9            | SB-II, SB-III, SB-III MAX, Sentry, SNWD, Super II, Super NWD |  |
| <b>Sw Terminal</b> | M4X0.7       |  |  |
| <b>Rot</b>         | CW           |  |  |
| <b>B+ Terminal</b> | M8X1.25      |  |  |

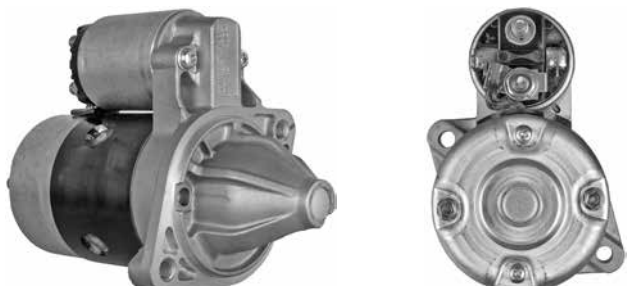
|                    |              |                                    |   |
|--------------------|--------------|------------------------------------|---|
| <b>Part No.</b>    | <b>93594</b> | <b>Make:</b>                       |  |
| <b>Mfr</b>         | ND           | <b>Thermo King</b>                 |   |
| <b>Volt</b>        | 12           | <b>Carrier Transicold</b>          |   |
| <b>kW</b>          | 1.4          | <b>Model:</b>                      |   |
| <b>Teeth</b>       | 9            | TK SDZ Genesis R70, Mistral Series |   |
| <b>Sw Terminal</b> | Spade        |                                    |   |
| <b>Rot</b>         | CW           |                                    |   |
| <b>B+ Terminal</b> | M8X1.25      |                                    |   |

|                    |              |                           |  |
|--------------------|--------------|---------------------------|--|
| <b>Part No.</b>    | <b>93595</b> | <b>Make:</b>              |  |
| <b>Mfr</b>         | MI           | <b>Carrier Transicold</b> |  |
| <b>Volt</b>        | 12           |                           |  |
| <b>kW</b>          | 0.8          | <b>Model:</b>             |  |
| <b>Teeth</b>       | 8            | Supra Series              |  |
| <b>Sw Terminal</b> | Spade        |                           |  |
| <b>Rot</b>         | CW           |                           |  |
| <b>B+ Terminal</b> | M8X1.25      |                           |  |

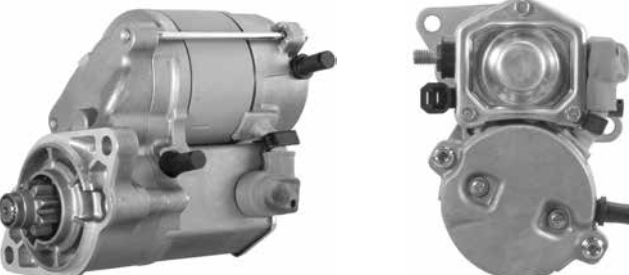
|                    |              |                    |  |
|--------------------|--------------|--------------------|--|
| <b>Part No.</b>    | <b>93597</b> | <b>Make:</b>       |  |
| <b>Mfr</b>         | ND           | <b>Thermo King</b> |  |
| <b>Volt</b>        | 12           |                    |  |
| <b>kW</b>          | 1.2          | <b>Model:</b>      |  |
| <b>Teeth</b>       | 13           | TriPac             |  |
| <b>Sw Terminal</b> | 7mm Spade    |                    |  |
| <b>Rot</b>         | CW           |                    |  |
| <b>B+ Terminal</b> | M8X1.25      |                    |  |

# Starters - Buyer's Guide

|                    |              |                           |  |
|--------------------|--------------|---------------------------|--|
| <b>Part No.</b>    | <b>93598</b> | <b>Make:</b>              |  |
| <b>Mfr</b>         | MI           | <b>Carrier Transicold</b> |  |
| <b>Volt</b>        | 12           |                           |  |
| <b>kW</b>          | 0.7          | <b>Model:</b>             |  |
| <b>Teeth</b>       | 9            | ComfortPro PC5000         |  |
| <b>Sw Terminal</b> | 5mm Spade    |                           |  |
| <b>Rot</b>         | CW           |                           |  |
| <b>B+ Terminal</b> | M8X1.25      |                           |  |

|                    |              |                  |  |
|--------------------|--------------|------------------|--|
| <b>Part No.</b>    | <b>93599</b> | <b>Make:</b>     |  |
| <b>Mfr</b>         | MI           | <b>Rigmaster</b> |  |
| <b>Volt</b>        | 12           |                  |  |
| <b>kW</b>          | 0.8          | <b>Model:</b>    |  |
| <b>Teeth</b>       | 8            | 14-6, T4-6       |  |
| <b>Sw Terminal</b> | 5mm Spade    |                  |  |
| <b>Rot</b>         | CW           |                  |  |
| <b>B+ Terminal</b> | M8X1.25      |                  |  |

|                    |              |                                      |   |
|--------------------|--------------|--------------------------------------|---|
| <b>Part No.</b>    | <b>93600</b> | <b>Make:</b>                         |  |
| <b>Mfr</b>         | MI           | <b>Carrier Transicold</b>            |   |
| <b>Volt</b>        | 12           |                                      |   |
| <b>kW</b>          | 0.8          | <b>Model:</b>                        |   |
| <b>Teeth</b>       | 9            | ComfortPro PC5000, ComfortPro PC6000 |   |
| <b>Sw Terminal</b> | M6X1.0 Post  |                                      |   |
| <b>Rot</b>         | CW           |                                      |   |
| <b>B+ Terminal</b> | M8X1.25      |                                      |   |

|                    |              |                           |  |
|--------------------|--------------|---------------------------|--|
| <b>Part No.</b>    | <b>99746</b> | <b>Make:</b>              |  |
| <b>Mfr</b>         | ND           | <b>Carrier Transicold</b> |  |
| <b>Volt</b>        | 12           |                           |  |
| <b>kW</b>          | 1.4          | <b>Model:</b>             |  |
| <b>Teeth</b>       | 9            | Maxima, Optima            |  |
| <b>Sw Terminal</b> | 5mm Spade    |                           |  |
| <b>Rot</b>         | CW           |                           |  |
| <b>B+ Terminal</b> | M8X1.25      |                           |  |

# Cross Reference

| <b>Bosch</b>              | <b>Part No.</b> | <b>Carrier Transicold</b> | <b>Part No.</b> | <b>Carrier Transicold</b> | <b>Part No.</b> |
|---------------------------|-----------------|---------------------------|-----------------|---------------------------|-----------------|
| 0-120-484-028             | 93082           | 20-45-2254                | 93070           | 30-00363-00               | 93073           |
| 0-120-484-049             | 93082           | 20-45-2258                | 93082           | 30-00363-01               | 93073           |
| 0-120-488-296             | 93070           | 20-45-2323                | 93591           | 30-00363-03               | 93073           |
| 0-120-488-297             | 93070           | 20-45-2325                | 93584           | 30-00363-04               | 93073           |
| 9-120-060-023             | 93070           | 25-15371-00               | 93595           | 30-00393-00               | 93101           |
| 9-120-060-027             | 93070           | 25-15520-00               | 99746           | 30-00393-01               | 93101           |
| 9-120-060-038             | 93082           | 25-34885-00               | 93598           | 30-00393-02               | 93101           |
| 9-127-041-233             | 93101           | 25-35465                  | 93594           | 30-00409-00               | 93091           |
| 9-127-041-241             | 93101           | 25-35465-00               | 93594           | 30-00409-01               | 93100           |
| 9-127-041-242             | 93101           | 25-37640                  | 93549           | 30-00409-02               | 93074           |
| AL5012N                   | 93070           | 25-37640-00               | 93549           | 30-00409-03               | 93091           |
| AL9120N                   | 93082           | 25-37725-00               | 93549           | 30-00409-04               | 93074           |
| AL929N                    | 93082           | 25-38750                  | 93549           | 30-00409-05               | 93100           |
| F-005-A00-020             | 93082           | 25-38750-00               | 93549           | 30-00409-06               | 93074           |
| SR396X                    | 93552           | 25-39135                  | 93588           | 30-00409-07               | 93074           |
| SR396X                    | 93593           | 25-39135-00               | 93588           | 30-00409-08               | 93090           |
| SR9946X                   | 93547           | 25-39291-00               | 93590           | 30-00409-09               | 93091           |
| SR9947X                   | 93594           | 25-39316-00               | 93589           | 30-00409-10               | 93074           |
| SR9949X                   | 93549           | 25-39316-01               | 93589           | 30-00409-11               | 93091           |
| <b>Carrier Transicold</b> | <b>Part No.</b> | 25-39587-00               | 93590           | 30-00409-12               | 93074           |
| 140954                    | 93073           | 25-39610-00SV             | 93600           | 30-00409-13               | 93074           |
| 20-4133-72                | 93102           | 29-50340-00               | 93070           | 30-00409-14               | 93100           |
| 20-41-5456                | 93082           | 29-70050-00               | 93595           | 30-00409-15               | 93100           |
| 20-41-5457                | 93070           | 29-70158-00               | 99746           | 30-00409-16               | 93090           |
| 20-41-5458                | 93070           | 30-00171-00               | 93073           | 30-00409-17               | 93074           |
| 20-41-6780                | 93070           | 30-00171-11               | 93073           | 30-00409-18               | 93074           |
| 20-41-6990                | 93095           | 30-00251                  | 93049           | 30-00409-60               | 93090           |
| 20-44-1285                | 93552           | 30-00251-11               | 93049           | 30-00409-63               | 93091           |
| 20-44-3325                | 93049           | 30-00306                  | 93010           | 30-00409-64               | 93074           |
| 20-44-5674                | 93552           | 30-00306-00               | 93010           | 30-00409-64               | 93090           |
| 20-44-6257                | 93079           | 30-00306-02               | 93010           | 30-00409-65               | 93074           |
| 20-44-9571                | 93070           | 30-00306-03               | 93010           | 30-00423                  | 93073           |
| 20-44-9572                | 93070           | 30-00306-04               | 93010           | 30-00423-00               | 93073           |
| 20-45-1251                | 93547           | 30-00306-05               | 93010           | 30-01114-02               | 93104           |
| 20-45-1263                | 93584           | 30-00331                  | 93049           | 30-01114-03               | 93105           |
| 20-45-1285                | 93593           | 30-00331-00               | 93049           | 30-01114-05               | 93105           |
| 20-45-1312                | 93550           | 30-00349-01               | 93073           | 30-01114-06               | 93105           |
| 20-45-1671                | 93584           | 30-00351-00               | 93073           | 30-01114-07               | 93076           |
| 20-45-1688                | 93591           | 30-00351-02               | 93073           | 30-01114-11               | 93106           |
| 20-45-1718                | 93550           | 30-00351-04               | 93073           | 30-01114-12               | 93106           |
| 20-45-1993                | 93584           | 30-00363                  | 93073           | 30-030600                 | 93010           |

# Cross Reference

| Carrier Transicold | Part No. |
|--------------------|----------|
| 30-50307           | 93073    |
| 30-50307-00        | 93073    |
| 30-50326-00        | 93075    |
| 30-50336-00        | 93080    |
| 30-50337-00        | 93087    |
| 30-50341-00        | 93087    |
| 30-50341-00        | 93088    |
| 30-50341-00        | 93103    |
| 30-50342-00        | 93088    |
| 30-50345-00        | 93081    |
| 30-50409-65        | 93090    |
| 30-60050-01        | 93078    |
| 30-60050-03        | 93076    |
| 30-60050-04        | 93076    |
| 35-34885-00        | 93595    |
| 96-101-21K         | 93097    |
| 96-111-02K         | 93096    |
| Delco Remy Reman   | Part No. |
| 10465437           | 93593    |
| 10465438           | 93584    |
| 10465440           | 93550    |
| 10465442           | 93552    |
| 10465444           | 93547    |
| 10465529           | 93594    |
| 10465531           | 93549    |
| 10465584           | 93553    |
| 19020507           | 93070    |
| 19020508           | 93070    |
| 19020509           | 93049    |
| 19020510           | 93079    |
| 19020512           | 93088    |
| 19020514           | 93074    |
| 19020515           | 93087    |
| 19020519           | 93074    |
| 19020520           | 93073    |
| Denso              | Part No. |
| 028000-0710        | 93550    |
| 028000-5051        | 93552    |
| 028000-5730        | 93550    |
| 028000-5800        | 93547    |
| 028000-7002        | 93552    |

| Denso       | Part No. |
|-------------|----------|
| 028000-7640 | 93553    |
| 028000-7830 | 93549    |
| 100211-1610 | 93019    |
| 100211-1630 | 93019    |
| 100211-1640 | 93019    |
| 100211-1680 | 93099    |
| 100211-4690 | 93019    |
| 100211-4740 | 93096    |
| 100211-4741 | 93096    |
| 101211-2480 | 93019    |
| 101211-2950 | 93098    |
| 101211-2951 | 93098    |
| 101211-2960 | 93097    |
| 101211-2961 | 93097    |
| 101211-8810 | 93098    |
| 128000-0022 | 93552    |
| 128000-0140 | 93549    |
| 128000-0141 | 93549    |
| 128000-0710 | 93553    |
| 128000-0720 | 93547    |
| 128000-0721 | 93547    |
| 128000-0740 | 93553    |
| 128000-0741 | 93553    |
| 128000-0960 | 93552    |
| 128000-0961 | 93552    |
| 128000-2881 | 93552    |
| 128000-4900 | 93594    |
| 128000-6280 | 93549    |
| 211-8000    | 93098    |
| 228000-0110 | 93553    |
| 228000-0111 | 93553    |
| 228000-0140 | 93553    |
| 228000-0141 | 93553    |
| 228000-0142 | 93553    |
| 228000-0250 | 93597    |
| 228000-0251 | 93597    |
| 228000-0660 | 93588    |
| 228000-0661 | 93588    |
| 228000-0662 | 93588    |
| 228000-0663 | 93588    |
| 228000-0664 | 93588    |

| Denso       | Part No. |
|-------------|----------|
| 228000-0950 | 99746    |
| 228000-0951 | 99746    |
| 228000-1060 | 93594    |
| 228000-1061 | 93594    |
| 228000-1070 | 93549    |
| 228000-1071 | 93549    |
| 228000-3800 | 93553    |
| 228000-3801 | 93553    |
| 228000-3802 | 93553    |
| 228000-6950 | 93590    |
| 228000-6951 | 93590    |
| 228000-6952 | 93590    |
| 428000-0930 | 93589    |
| 428000-0931 | 93589    |
| 5702800-764 | 93553    |
| 5712800-074 | 93553    |
| 9712809-071 | 93553    |
| 9712809-074 | 93553    |
| 9722809066  | 93588    |
| 9722809-106 | 93594    |
| 9742809-093 | 93589    |
| 9760211-163 | 93019    |
| 9760218-163 | 93019    |
| Dixie       | Part No. |
| 100-07121   | 93105    |
| 100-07123   | 93106    |
| 100-07125   | 93104    |
| 109-10101   | 93049    |
| 109-10103   | 93079    |
| 109-10105   | 93010    |
| 109-12103   | 93103    |
| 109-12104   | 93087    |
| 109-12105   | 93088    |
| 109-12106   | 93080    |
| 109-12108   | 93081    |
| 109-12110   | 93083    |
| 109-12112   | 93074    |
| 109-12114   | 93100    |
| 109-12115   | 93090    |
| 109-12116   | 93091    |
| 109-12117   | 93075    |

# Cross Reference

| Dixie     | Part No. |
|-----------|----------|
| 109-12118 | 93073    |
| 109-12145 | 93102    |
| 146-05101 | 93019    |
| 146-06131 | 93097    |
| 146-06132 | 93098    |
| 146-93101 | 93099    |
| 146-93104 | 93096    |
| 160-84103 | 93070    |
| 160-84104 | 93070    |
| 160-84106 | 93082    |
| 160-84113 | 93095    |
| 160-84113 | 93597    |
| 160-89113 | 93101    |
| 170-13101 | 93078    |
| 170-13102 | 93076    |
| 170-13103 | 93076    |
| 240-20101 | 93593    |
| 240-20105 | 93591    |
| 240-22105 | 93584    |
| 240-22106 | 93592    |
| 243-08105 | 93595    |
| 246-14105 | 93547    |
| 246-14110 | 93549    |
| 246-14114 | 93550    |
| 246-14116 | 93553    |
| 246-14119 | 99746    |
| 246-14120 | 93588    |
| 246-14122 | 93594    |
| 246-20103 | 93590    |
| 246-20105 | 93552    |
| 246-22101 | 93589    |
| A-12651   | 93098    |
| A-6249    | 93101    |
| A-6250    | 93070    |
| A-6252    | 93070    |
| A-6381    | 93082    |
| A-80052   | 93098    |
| A-8277    | 93019    |
| A-8278    | 93096    |
| A-8512    | 93096    |
| A-9199    | 93073    |

| Dixie    | Part No. |
|----------|----------|
| A-9209   | 93079    |
| A-921    | 93010    |
| A-9210   | 93088    |
| A-9210   | 93103    |
| A-9211   | 93088    |
| A-9217   | 93073    |
| A-9225   | 93088    |
| A-9234   | 93081    |
| A-9247   | 93088    |
| A-9247   | 93103    |
| A-9254   | 93074    |
| A-9263   | 93100    |
| A-9334   | 93090    |
| A-9335   | 93091    |
| A-9347   | 93088    |
| A-9347   | 93103    |
| A-9349   | 93088    |
| A-9350   | 93080    |
| A-9351   | 93075    |
| A-9357   | 93083    |
| A-9387   | 93081    |
| A-9397   | 93076    |
| A-9398   | 93076    |
| A-9399   | 93073    |
| A-9403   | 93078    |
| A-9409   | 93073    |
| A-988    | 93049    |
| S-80051  | 93589    |
| S-80052  | 93591    |
| S-80158  | 93584    |
| S-80290  | 93592    |
| S-8089   | 93550    |
| S-8124   | 93553    |
| S-8152   | 93552    |
| S-8152-1 | 93552    |
| S-8195   | 93547    |
| S-8261   | 93549    |
| S-8309   | 93593    |
| S-8315   | 93584    |
| S-8397   | 93595    |

| Dixie       | Part No. |
|-------------|----------|
| S-8489      | 99746    |
| S-8675      | 93588    |
| S-8788      | 93553    |
| S-8790      | 93594    |
| S-8791      | 93594    |
| S-8807      | 93553    |
| S-8889      | 93590    |
| Hitachi     | Part No. |
| S13-207A    | 93591    |
| S13-207C    | 93591    |
| S13-211     | 93584    |
| S13-289     | 93584    |
| S13-289A    | 93584    |
| S13-289B    | 93584    |
| S13-289C    | 93584    |
| S13-407     | 93592    |
| S13-407A    | 93592    |
| S13-84      | 93593    |
| S13-84A     | 93593    |
| S13-84B     | 93593    |
| S13-89      | 93584    |
| S13-89A     | 93584    |
| S13-89B     | 93584    |
| S13-89C     | 93584    |
| S13-89D     | 93584    |
| Isuzu       | Part No. |
| 290372-9140 | 93552    |
| 8941475492  | 93584    |
| 8944299770  | 93584    |
| 8971185420  | 93584    |
| 8972286640  | 93584    |
| Kubota      | Part No. |
| 15881-64201 | 93019    |
| 1920263011  | 93549    |
| 19215-63012 | 93594    |
| 19215-63013 | 93594    |
| 19460-63012 | 93590    |
| 19630-64013 | 93097    |
| 19837-63010 | 93598    |
| 19837-63011 | 93598    |
| 19837-63012 | 93598    |

# Cross Reference

| Kubota       | Part No. |
|--------------|----------|
| 19837-63013  | 93598    |
| 1E152-63011  | 93600    |
| 66436-64013  | 93096    |
| 66436-640152 | 93096    |
| Lester       | Part No. |
| 12104        | 93078    |
| 12189        | 93019    |
| 12224        | 93070    |
| 12225        | 93101    |
| 12334        | 93082    |
| 12352        | 93097    |
| 12459        | 93076    |
| 16657        | 93550    |
| 16739        | 93552    |
| 16791        | 93595    |
| 17027        | 93594    |
| 17088        | 93593    |
| 17098        | 99746    |
| 17116        | 93549    |
| 17117        | 93547    |
| 17367        | 93549    |
| 17375        | 93553    |
| 17606        | 93594    |
| 17619        | 93549    |
| 18013        | 93553    |
| 18067        | 93584    |
| 18148        | 93594    |
| 18162        | 93595    |
| 18277        | 93588    |
| 18490        | 93591    |
| 18556        | 93590    |
| 18557        | 93589    |
| 19165        | 93600    |
| 19638        | 93592    |
| 7344         | 93073    |
| 7380         | 93010    |
| 7444         | 93049    |
| 7478         | 93103    |
| 7479         | 93088    |
| 7482         | 93079    |
| 7486         | 93079    |

| Lester     | Part No. |
|------------|----------|
| 7597       | 93081    |
| 8056       | 93010    |
| 8427       | 93088    |
| 8428       | 93080    |
| 8611       | 93010    |
| 8615       | 93073    |
| 8616       | 93087    |
| 8617       | 93083    |
| 8618       | 93074    |
| 8618-6     | 93090    |
| 8619       | 93074    |
| 8621       | 93100    |
| 8622       | 93091    |
| 8625       | 93075    |
| 8679       | 93074    |
| Midland    | Part No. |
| RA401000X  | 93079    |
| RA403003X  | 93049    |
| RA601000X  | 93070    |
| RA601010X  | 93070    |
| RS312700X  | 93552    |
| RS312800X  | 93593    |
| Mitsubishi | Part No. |
| M003T33481 | 93595    |
| M003T70681 | 93600    |
| M2T30481   | 93595    |
| M2T42381   | 93595    |
| M3T33481   | 93598    |
| M3T49981   | 93595    |
| M3T49982   | 93595    |
| M3T70681   | 93600    |
| Motorola   | Part No. |
| 8AL2019F   | 93073    |
| 8AR2018F   | 93010    |
| 8AR2022F   | 93010    |
| 8AR2024F   | 93010    |
| 8AR2033F   | 93010    |
| 8AR2037F   | 93010    |
| 8AR2041F   | 93010    |
| 8AR2070KA  | 93073    |
| 8EA2018N   | 93073    |

| Motorola  | Part No. |
|-----------|----------|
| 8EA2018NA | 93073    |
| 8EK2003FA | 93087    |
| 8EK2003FB | 93087    |
| 8EK2003FC | 93087    |
| 8EK2004DC | 93074    |
| 8EK2005NC | 93088    |
| 8EK2005ND | 93088    |
| 8EK2006F  | 93103    |
| 8EK2006FA | 93103    |
| 8EK2006FB | 93088    |
| 8EK2006FB | 93103    |
| 8EK2006FC | 93103    |
| 8EK2006FD | 93103    |
| 8EK2007NA | 93088    |
| 8EK2008F  | 93103    |
| 8EK2008FA | 93103    |
| 8EK2008FB | 93103    |
| 8EK2008FC | 93103    |
| 8EK2008FD | 93087    |
| 8EK2008FD | 93103    |
| 8EK2009F  | 93087    |
| 8EK2009F  | 93103    |
| 8EK2009FA | 93087    |
| 8EK2009FA | 93103    |
| 8EK2009FB | 93087    |
| 8EK2009FB | 93103    |
| 8EK2009FC | 93087    |
| 8EK2009FC | 93103    |
| 8EK2009FD | 93087    |
| 8EK2009FD | 93103    |
| 8EK2010N  | 93088    |
| 8EK2010NA | 93088    |
| 8EK2010NB | 93088    |
| 8EK2011F  | 93103    |
| 8EK2011FA | 93103    |
| 8EK2011FB | 93087    |
| 8EK2011FB | 93103    |
| 8EK2011FC | 93087    |
| 8EK2011FC | 93103    |
| 8EK2011FD | 93103    |
| 8EK2110NA | 93088    |

# Cross Reference

| Motorola   | Part No. | Motorola           | Part No.        | Prestolite         | Part No.        |
|------------|----------|--------------------|-----------------|--------------------|-----------------|
| 8EM2012N   | 93073    | 8MR2175F           | 93087           | 110-379            | 93073           |
| 8EM2012NA  | 93073    | 8MR2180L           | 93080           | 110-383            | 93073           |
| 8EM2012NAS | 93073    | 8MR2181L           | 93080           | 110-385            | 93073           |
| 8EM2013N   | 93073    | 8MR2185L           | 93080           | 110-399            | 93088           |
| 8EM2013NA  | 93073    | 8MR2197T           | 93083           | 110-399            | 93103           |
| 8HA2003F   | 93049    | 8MR2215D           | 93081           | 110-487            | 93073           |
| 8HA2003FS  | 93049    | 8MR2313U           | 93091           | 110-54             | 93010           |
| 8HA2006F   | 93049    | 8MR2316L           | 93090           | 110-542            | 93079           |
| 8HA2008F   | 93079    | 8MR2324L           | 93074           | 110-543            | 93079           |
| 8HA2008FA  | 93079    | 8MR2325U           | 93091           | 110-581            | 93081           |
| 8HA2009K   | 93079    | 8MR2326L           | 93074           | 110-600            | 93080           |
| 8HA2009KA  | 93079    | 8MR2327L           | 93074           | 110-606            | 93074           |
| 8MR2013L   | 93073    | 8MR2328F           | 93100           | 110-607            | 93074           |
| 8MR2118F   | 93100    | 8MR2329L           | 93075           | 110-608            | 93091           |
| 8MR2118FA  | 93100    | 8MR2341            | 93103           | 110-609            | 93074           |
| 8MR2121L   | 93090    | 8MR2343            | 93088           | 110-610            | 93100           |
| 8MR2121LA  | 93090    | 8MR2344            | 93102           | 110-610RM          | 93100           |
| 8MR2122U   | 93091    | 8MR2344U           | 93102           | 110-611            | 93075           |
| 8MR2122UA  | 93091    | 8MR2348            | 93083           | 110-631            | 93103           |
| 8MR2122UB  | 93091    | A12N451            | 93010           | 110-633            | 93088           |
| 8MR2122UC  | 93091    | RA12N451           | 93010           | 110-634            | 93102           |
| 8MR2122UD  | 93091    | <b>Paris-Rhone</b> | <b>Part No.</b> | 110-638            | 93083           |
| 8MR2123L   | 93075    | A13N238            | 93078           | 110-643            | 93091           |
| 8MR2123LA  | 93075    | A13N291            | 93076           | 110-646            | 93090           |
| 8MR2124L   | 93090    | A13N293            | 93076           | 110-699            | 93087           |
| 8MR2124LA  | 93090    | <b>Perkins</b>     | <b>Part No.</b> | <b>Thermo King</b> | <b>Part No.</b> |
| 8MR2125L   | 93074    | 185046470          | 93098           | 10-41-2195         | 93103           |
| 8MR2125LA  | 93074    | 185046220          | 93099           | 10-41-2198         | 93087           |
| 8MR2126U   | 93091    | <b>Prestolite</b>  | <b>Part No.</b> | 10-41-2199         | 93087           |
| 8MR2126UA  | 93091    | 10-1               | 93010           | 10-41-2571         | 93082           |
| 8MR2127L   | 93074    | 10-273             | 93010           | 10-41-5456         | 93082           |
| 8MR2127LA  | 93074    | 10-54              | 93010           | 10-41-5457B        | 93070           |
| 8MR2127LB  | 93074    | 110-1              | 93010           | 10-41-5458B        | 93070           |
| 8MR2128F   | 93100    | 110-112            | 93010           | 10-44-3325         | 93049           |
| 8MR2128FA  | 93100    | 110-155            | 93010           | 10-44-9572         | 93070           |
| 8MR2140F   | 93103    | 110-159            | 93049           | 10-45-1285         | 93593           |
| 8MR2150L   | 93088    | 110-161            | 93010           | 10-45-1688         | 93591           |
| 8MR2156U   | 93102    | 110-225            | 93049           | 10-45-1718         | 93550           |
| 8MR2170F   | 93087    | 110-273            | 93073           | 10-45-1993         | 93584           |
| 8MR2171F   | 93087    | 110-303            | 93079           | 10-45-2177         | 93592           |
| 8MR2172F   | 93088    | 110-304            | 93079           | 1E32215G01         | 93070           |



# Cross Reference

| Thermo King | Part No. | Thermo King | Part No. | Thermo King | Part No. |
|-------------|----------|-------------|----------|-------------|----------|
| 1E32216G01  | 93070    | 44-5674     | 93552    | 45-1335     | 93553    |
| 1E32217G01  | 93082    | 44-6257     | 93079    | 45-1671     | 93584    |
| 20-41-2198  | 93087    | 44-6266     | 93079    | 45-1688     | 93591    |
| 2D72786G01  | 93103    | 44-7154     | 93103    | 45-1706     | 93083    |
| 2D72786G03  | 93087    | 44-7155     | 93103    | 45-1718     | 93550    |
| 3502221     | 93589    | 44-7156     | 93088    | 45-1993     | 93584    |
| 3D97386G01  | 93088    | 44-7376     | 93103    | 45-2176     | 93597    |
| 3D97386G01  | 93103    | 44-7924     | 93081    | 45-2177     | 93592    |
| 3D97386G02  | 93087    | 44-7925     | 93088    | 45-2254     | 93070    |
| 3D97386G03  | 93087    | 44-7925     | 93103    | 45-2256     | 93070    |
| 4006D20G01  | 93049    | 44-7926     | 93088    | 45-2257     | 93095    |
| 4006D20G02  | 93049    | 44-7926     | 93103    | 45-2258     | 93082    |
| 41044000    | 93584    | 44-7927     | 93088    | 45-2323     | 93591    |
| 41-0749     | 93096    | 44-8091     | 93088    | 45-2324     | 93592    |
| 4116D22G03  | 93087    | 44-8091     | 93103    | 45-2325     | 93584    |
| 41-2194     | 93081    | 44-8901     | 93088    | 45-2326     | 93553    |
| 41-2195     | 93088    | 44-8901     | 93103    | 45-5657     | 93552    |
| 41-2195     | 93103    | 44-8902     | 93088    | 45-56572    | 93552    |
| 41-2196     | 93088    | 44-8902     | 93103    | 45-5674     | 93552    |
| 41-2197     | 93088    | 44-8903     | 93081    | 45-904      | 93547    |
| 41-2198     | 93087    | 44-8904     | 93088    | 841-5456    | 93082    |
| 41-2199     | 93087    | 44-8939     | 93088    | 841-5457    | 93070    |
| 41-2200     | 93080    | 44-8939     | 93103    | 841-5458    | 93070    |
| 41-2571     | 93082    | 44-8940     | 93088    | 841-8461    | 93070    |
| 41-2705     | 93083    | 44-8949     | 93070    | 841-8463    | 93070    |
| 41-3372     | 93102    | 44-8950     | 93070    | 841-8464    | 93095    |
| 41-5456     | 93082    | 44-9571     | 93070    | 841-8465    | 93082    |
| 41-5456B    | 93082    | 44-9572     | 93070    | 844-3325    | 93049    |
| 41-5457     | 93070    | 44-9750     | 93088    | 844-7925    | 93088    |
| 41-5458     | 93070    | 44-9750     | 93103    | 844-9571    | 93070    |
| 41-6780     | 93070    | 44-9751     | 93088    | 844-9572    | 93070    |
| 41-6781     | 93070    | 44-9751     | 93103    | 845-1263    | 93584    |
| 41-6782     | 93082    | 44-9753     | 93088    | 845-1285    | 93593    |
| 41-6990     | 93095    | 44-9754     | 93088    | 845-1312    | 93550    |
| 41-8461     | 93070    | 44-9754     | 93103    | 845-1335    | 93553    |
| 41-8463     | 93070    | 44-9755     | 93088    | 845-1688    | 93591    |
| 41-8465     | 93082    | 45-1229     | 93593    | 845-1724    | 93553    |
| 41-9856     | 93095    | 45-1251     | 93547    | 845-2176    | 93597    |
| 42-367      | 93095    | 45-1263     | 93584    | 845-2177    | 93592    |
| 44-3325     | 93049    | 45-1285     | 93593    | 845-2254    | 93070    |
| 44-5004     | 93049    | 45-1312     | 93550    | 845-2256    | 93070    |

# Cross Reference

| Thermo King   | Part No.        | Wilson      | Part No. | Yanmar       | Part No. |
|---------------|-----------------|-------------|----------|--------------|----------|
| 845-2258      | 93082           | 90-05-9149  | 93088    | 119209-77010 | 93553    |
| 845-2323      | 93591           | 90-05-9152  | 93079    | 119285-77010 | 93553    |
| 845-2324      | 93592           | 90-05-9170  | 93081    | 119385-77010 | 93553    |
| 845-2325      | 93584           | 90-05-9209  | 93074    | 121120-77010 | 93553    |
| 845-2326      | 93553           | 90-05-9210  | 93090    | 121120-77011 | 93553    |
| 845-2589      | 93070           | 90-05-9214  | 93075    | 124520-77010 | 93553    |
| A-80410       | 93097           | 90-05-9227  | 93091    | 124520-77011 | 93553    |
| 5D33839G01    | 93070           | 90-05-9228  | 93100    | 129129-77010 | 93597    |
| 5D33841G01    | 93070           | 90-05-9260  | 93081    |              |          |
| 5D35741G01    | 93088           | 90-05-9270  | 93083    |              |          |
| 5D35741G01    | 93103           | 90-15-6233  | 93070    |              |          |
| 5D35741G02    | 93087           | 90-15-6233N | 93070    |              |          |
| 5D35741G03    | 93087           | 90-15-6280  | 93070    |              |          |
| 5D35741G04    | 93087           | 90-15-6288  | 93101    |              |          |
| 5D38604G01    | 93070           | 90-15-6384  | 93082    |              |          |
| 5D44464G01    | 93103           | 90-20-3541  | 93078    |              |          |
| 5D44466G01    | 93087           | 90-20-3560  | 93076    |              |          |
| 5D44466G02    | 93087           | 90-20-3561  | 93076    |              |          |
| 5D46047G01    | 93083           | 90-20-3574  | 93076    |              |          |
| 5D50461G01    | 93082           | 90-29-5313  | 93019    |              |          |
| 5D52972G01    | 93102           | 91-25-1037  | 93593    |              |          |
| P-25-34885-00 | 93598           | 91-25-1048  | 93584    |              |          |
| P-96-111-02K  | 93096           | 91-25-1048N | 93584    |              |          |
| <b>Valeo</b>  | <b>Part No.</b> | 91-25-1170  | 93591    |              |          |
| 2542795       | 93105           | 91-25-1170N | 93591    |              |          |
| 439186        | 93076           | 91-27-3147  | 93595    |              |          |
| 439187        | 93078           | 91-27-3147N | 93595    |              |          |
| <b>Wilson</b> | <b>Part No.</b> | 91-29-5042  | 93550    |              |          |
| 90-05-9028    | 93073           | 91-29-5074  | 93552    |              |          |
| 90-05-9055    | 93010           | 91-29-5107  | 93549    |              |          |
| 90-05-9082    | 93049           | 91-29-5109  | 93547    |              |          |
| 90-05-9135    | 93088           | 91-29-5140  | 93553    |              |          |
| 90-05-9135    | 93103           | 91-29-5147  | 93594    |              |          |
| 90-05-9147    | 93073           | 91-29-5202  | 93553    |              |          |
| 90-05-9148    | 93087           | 91-29-5405  | 93588    |              |          |
| 90-05-9148    | 93088           | 91-29-5432  | 93590    |              |          |
| 90-05-9148    | 93103           | 91-29-5619  | 99746    |              |          |
| 90-05-9149    | 93080           | 91-29-5623  | 93589    |              |          |



**BROUGHT TO YOU BY REMY INTERNATIONAL, INC.**  
Provider of Delco Remy Heavy Duty Starters & Alternators



# Support you know & trust.

## e-Catalog at [delcoremy.com](http://delcoremy.com).



Part numbers *fast*  
at [delcoremy.com](http://delcoremy.com)

Tech Support  
**800-372-0222**

If you need assistance with part number identification or electrical system troubleshooting, we're here to help.

Remy International, Inc. is a leading global manufacturer of Delco Remy brand heavy duty starters and alternators, Remy light duty starters, alternators and electric motor technology for EV and hybrid vehicles. We lead with product innovation and performance – you win with trusted, knowledgeable support.



**[delcoremy.com](http://delcoremy.com)**

Remy International, Inc.  
600 Corporation Drive  
Pendleton, IN 46064 USA  
For Technical Assistance call 1-800-372-0222

Delco Remy is a registered trademark of General Motors Corporation, licensed to Remy International, Inc., Pendleton, IN 46064 | C11136 | 6-15