



39MT™

Heavy Duty Gear Reduction Starter



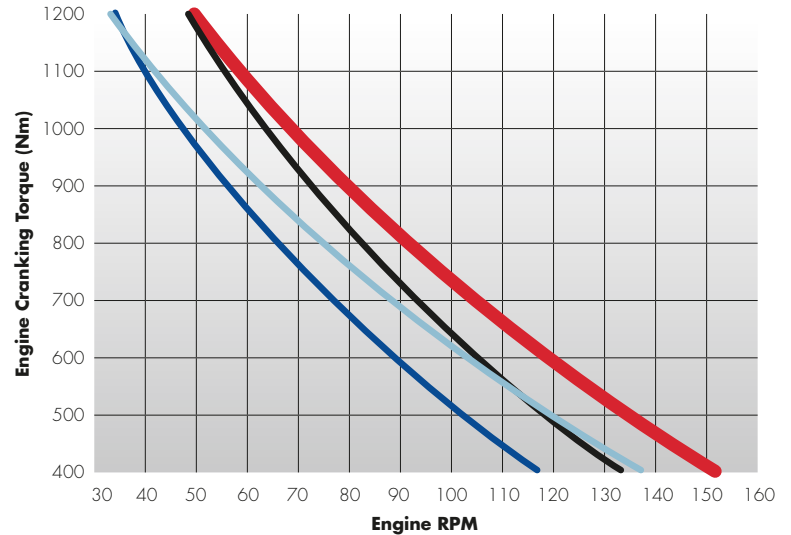
Features & Benefits

- New service models come standard with **Over Crank Protection (OCP)**. OCP monitors the internal temperature and prevents thermal damage to the starter by preventing overcranking.
- These models feature an **Integral Magnetic Switch (IMS)**. IMS reduces voltage drop and ensures the solenoid receives the maximum available voltage in any starting condition.
- **Rotatable flange models** were designed specifically to improve service flexibility and part number consolidation. They easily replace competitive units and provide full industry application coverage.
- **Warranty for All Makes models:**
3 year/unlimited miles*

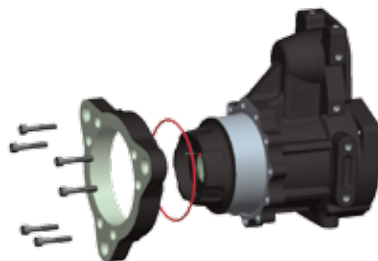
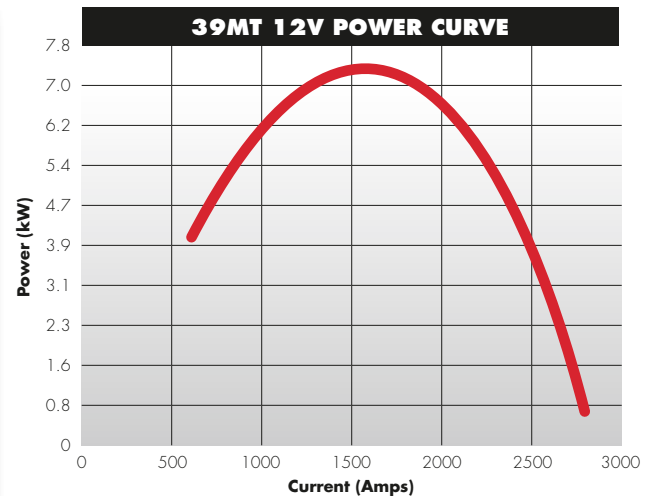
* Applicable to U.S. and Canada only

Cranks up to 30% faster than the competition

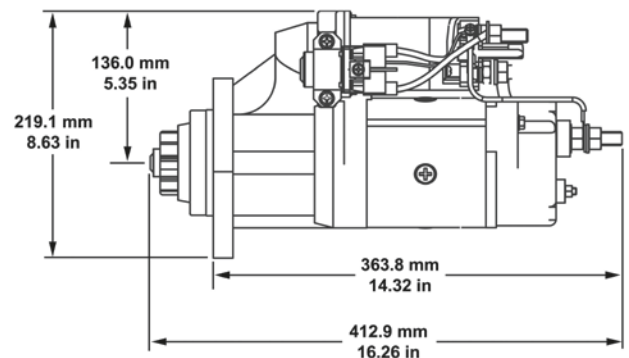
- 39MT
- Mitsubishi 105
- Unipoint
- Denso R5



SPECIFICATIONS	
Engine Size	12V up to 16 Liters 24V up to 16 Liters
Rotation	Clockwise
Mounting	12V: SAE #1, SAE #3 24V: SAE #3
Pinion Data	11 Tooth, 6-8 Pitch 12 Tooth, 8-10 Pitch 12 Tooth, Mod 3-metric
Output	12V peak at 7.3kW 24V peak at 9.0kW
Weight	14 kg/30.8 lbs.
Diameter	114 mm/4.5 inches
Heavy Duty Drive	Electrical Soft-Start Engagement System Overrunning Clutch



Rotatable Flange Design



OEM	Engine	OE	Reman	All Makes		Pinion Pitch/Teeth	Competitive Cross Reference
				New Service	Rot. Flange		
Freightliner Sterling Western Star	MBE 4000	19011525, 8200082, 8200660, 8200687	8300008	8200287 ¹	N/A	Mod 3 - 12 tooth	MIB971179, MIB971179FL FL1179
		19011514, 8200084, 8200624, 8200690	8300013				
	Cummins ISC, ISL	19011526, 8200081, 8200659, 8200688, 8200783	8300007	N/A	8200433	8/10 - 12 tooth	N/A
		19011517, 8200087, 8200625, 8200691	8300015				
	CAT C15, Cummins ISX, ISM, Detroit S60	19011521, 8200090, 8200091, 8200661, 8200686, 8200662	8300009	8200289	8200308	6/8 - 11 tooth	MIB970975, MIB970975FL, FLO975, MIB970777, MIB-970777FL, FLO777, FLO579
		19011516, 19011518, 19011529, 19011530, 8200623, 8200627, 8200628, 8200692	8300019				
	DD 13/15/16 2015 and older	8200329, 8200671, 8201022	8300084 ²	N/A	8200434	Mod 3 - 12 tooth	N/A
DD 13/15/16 2016 and newer	8201004	N/A	61000704	N/A	Mod 3 - 11 tooth		
Navistar	Cummins ISX, ISM, CAT C13, C15	8200050, 8200091, 8200604, 8200605	8300009	8200289	8200308	6/8 - 11 tooth	3815734C91, IN1478
	DT466, DT570, HT570, Maxxforce DT, 9, 10	8200081, 8200659, 8200218, 8200635, 8200219, 8200664, 8200360, 8200672, 8200384, 8200639	8300007	N/A	8200433	8/10 - 12 tooth	MITIN1378
	MaxxForce 11/13	8200857, 8200606	N/A		8200817 ⁴	8/10 - 12 tooth	3667911C91, IN2178
Kenworth Peterbilt	CAT C9, C10, C11, C12, C13, C15	8200050, 8200090	8300009	8200290	8200308	6/8 - 11 tooth	D61-6002-004, D61-6002-008, PC0979, PC1479, PC1879 M983579
		19011529, 8200104	8300019				
	Cummins ISX, ISM	8200405 ³ , 8200742 ³	N/A	8200742 ³	N/A		
	Cummins ISC, ISL	N/A	N/A	N/A	8200433	8/10 - 12 tooth	D61-6002-003, PC1379
Mack	Mack E7	19011500, 19011505, 19011531, 8200037	8300020	8200288	8200308	6/8 - 11 tooth	MK0077
	Mack MP7	8200223, 8200612, 8201074	8300059	8200468	N/A	8/10 - 11 tooth	21001797, MK1075
	Mack MP8 2012 and older	8200214, 8200572, 8200611, 8200910, 8200417	8300060	8201100		8/10 - 12 tooth	21019460, MK2078, 21942885, MK2079
	Mack MP8 2013 and newer	8201075	N/A			8/10 - 12 tooth	22398219
	Mack MP10	8200182, 8200610, 8201072	8300061	8200469		8/10 - 12 tooth	21045969
	Cummins ISL, ISL-G	8200768, 8200625, 8201080, 8201081	8300007	N/A	8200433	8/10 - 12 tooth	N/A
	Cummins ISX 12G	8200915, 8201082	N/A		8200971	6/8 - 11 tooth	
Volvo	Cummins ISX, ISM	19011516, 19011517, 19011530, 8200091, 8200662, 8200319, 8200820, 8201078, 8201079	8300009	8200289	8200308	6/8 - 11 tooth	20851006, VV0776, VV0977
	Volvo D11	8200223, 8200612, 8201073	8300059	8200468	N/A	8/10 - 11 tooth	21001781, VV1076
	Volvo D12	8200058, 8200186, 19011515	8300004	8200291		8/10 - 12 tooth	VV0279
	Volvo D13 2012 and older	8200214, 8200572, 8200611, 8200909, 8200417	8300060	8201100		8/10 - 12 tooth	21019456, 21989095, VV2079
	Volvo D13 2013 and newer	8201076	N/A			8/10 - 12 tooth	22398223
	Volvo D16	8200182, 8200610, 8201071	8300061	8200469		8/10 - 12 tooth	21001825, VV1979
Cummins ISX 12G	8200960, 8201083	N/A	N/A	8200971	6/8 - 11 tooth	N/A	
Autocar	Cummins ISX, ISM	8200091, 19011530	8300009	8200289	8200308	6/8 - 11 tooth	N/A
	Cummins ISC, ISL, ISL-G	8200218, 8200219	8300007	N/A	8200433	8/10 - 12 tooth	
Prevost Bus	24V Detroit S60	N/A	N/A	N/A	8200330	6/8 - 11 tooth	510752, PV2479
MCI Bus	24V Detroit S60, Cummins ISM, CAT C12, C13	N/A	N/A	N/A	8200330	6/8 - 11 tooth	71-01-1008, MC2378
Various 24V	CAT C12, C13, C15, Cummins ISM, ISX, N14, Detroit S60, Mack E7				8200330	6/8 - 11 tooth	N/A
	Cummins ISB, ISC, ISL, Navistar DT466, DT530, Volvo D12				8200435	8/10 - 12 tooth	
	Mercedes 4000, DD 13/15 - 2015 and older				8200436	Mod 3 - 12 tooth	

¹ Replacement may mount the engine with solenoid facing down by design. ² Replaces reman P/N 8300058. ³ Integrated OCP.

⁴ Can use 8200433 by removing 6 bolts on the front of the flange and rotating the flange so the solenoid is in the same top position as the OE model.



© BorgWarner Inc.
600 Corporation Drive
Pendleton, IN 46064 USA
For Customer Service or Technical
Assistance call 1-800-372-3555

delcoremy.com

Delco Remy is a registered trademark of General Motors Corporation
licensed to Remy LLC, Pendleton, IN | C11125 | 4-16