



GENUINE PRODUCTS



Transit Bus  
Starters, Alternators  
& Service Parts





# Genuine Delco Remy Starters & Alternators have provided the power, durability and service support for over 100 years.

**The Delco Remy 50DN™ and 50DN+™ are the original alternators designed specifically for transit applications.**

They deliver over 75% of rated output at engine idle therefore managing high continuous electrical loads found on bus applications. They are supported with a service parts program for economical service repair.

## FEATURES & BENEFITS

- **Durable brushless design** provides increased reliability and durability.
- **Long Life Stator Design** provides improved durability and results in cooler operating temperatures.
- Completely sealed to withstand external contamination.
- **Warranty:** 1 year/unlimited miles (Applicable to U.S. and Canada only)

## 50DN/50DN+ CROSS REFERENCES & UPGRADES

New/Reman	Part #	Output (Amps)	Mount Type	50DN/50DN+ New Service Replacement	50DN/50DN+ Reman Replacement	50DN+ New Service Upgrade	50DN+ Reman Upgrade
New	1117166	270	Cradle	8600191	10459123	8600083	8700091
New	1117167	270	Cradle	8600191	10459123	8600083	8700091
New	1117878	270	Cradle	8600191	10459123	8600083	8700091
New	8600083	450	Cradle	8600083	8700091	N/A	N/A
New	8600191	270	Cradle	8600191	10459123	8600083	8700091
New	8600608*	450	Cradle	8600608	N/A	N/A	N/A
Reman	8700077**	270	Cradle	8600191	8700077**	8600083	8700091
Reman	8700091	450	Cradle	N/A	N/A	8600083	N/A
Reman	10459121	270	Flange	N/A	10459121	N/A	N/A
Reman	10459122	270	Flange	N/A	10459122	N/A	N/A
Reman	10459123	270	Cradle	8600191	N/A	8600083	8700091
Reman	10459126	270	Flange	N/A	10459122	N/A	N/A

\* Has an additional non-painted ground surface \*\* Only accepts press-in seal kit

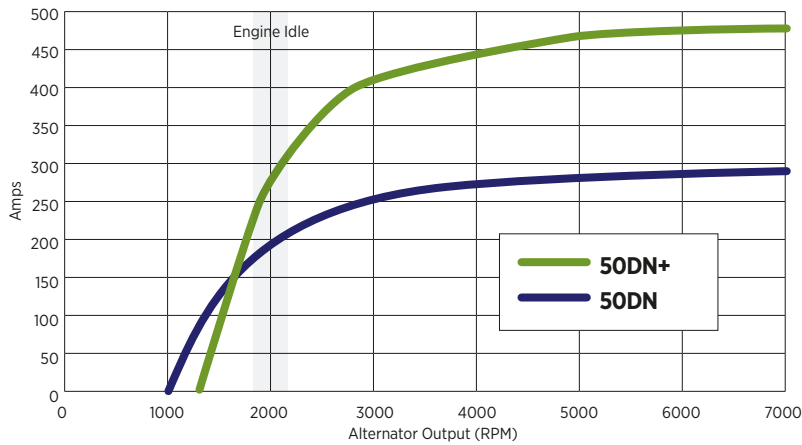
## SPECIFICATIONS

	50DN	50DN+
<b>Maximum Speed</b>	6,500 RPM continuous 7,000 RPM intermittent	6,500 RPM continuous 7,000 RPM intermittent
<b>Performance Output</b>	270 Amps - 24 volt	450 Amps - 24 volt
<b>Weight</b>	100 lbs (45.3 kg)	109.7 lbs (49.8 kg)
<b>Temperature Rating</b>	250°F (121°C)	121°C/250°F (oil)
<b>Oil Flow Requirements</b>	Up to 2.0 gal/min (provide min. 1" drain line) positive vent connection	
<b>Efficiency</b>	78%	
<b>Rotation</b>	Clockwise or counterclockwise	
<b>Mounting</b>	Cradle mount	
<b>Length</b>	453 mm/17.83"	
<b>Remote Sense</b>	Standard with 50VR regulator	
<b>Alternator Design</b>	Oil Cooled - Brushless	
<b>Stator Diameter</b>	241 mm/9.49"	
<b>Drive End Bearing Size</b>	72 mm/2.84"	

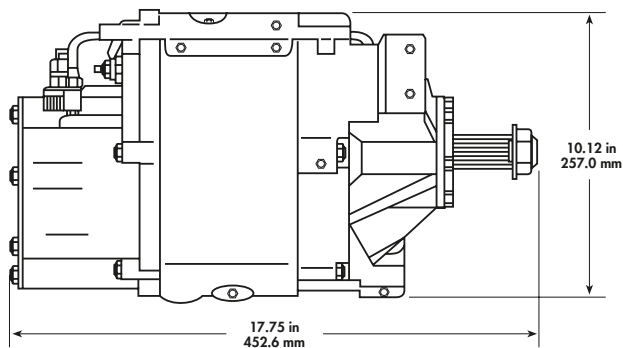
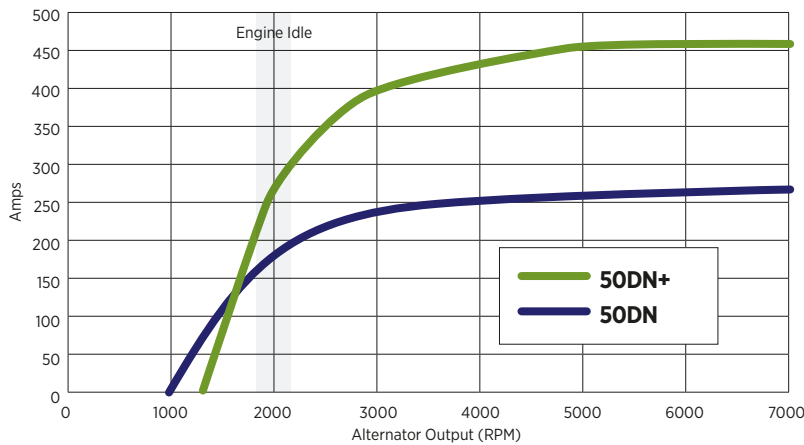
It is recommended that SAE J541 guidelines be used when considering the application of a 50DN (270 Amp) or 50DN+ (450 Amp).

It is recommended that a maximum of .5 volt drop at 500 Amps is allowed between the power source and its load, translating to one millivolt drop per Amp.

## PERFORMANCE @ 93°C



## PERFORMANCE @ 121°C



## SERVICE KITS & REPLACEMENT PARTS

Service Kits	50DN Part #	50DN+ Part #
Master Rebuild Kit	10502551	10539735
Master Repair Kit	10457790	10457790
Cover - End Plate Kit	10457148	10457148
Field Coil	10471614	10515313
Rotor	1956315	10514908
Stator	10502989	10517291
Bolt-On Seal Kit*	10514967	N/A
Press-In Seal Kit Retrofit from Bolt-On*	10524488	N/A
Long-life Press-In Seal Kit*	10537001	

## 50VR REGULATORS

50VR OE Number	50VR Service Package	Description
8600026, 8600027, 8600028, 8600563	10503805	Terminal strip connectors & temperature compensated without cover
8600024, 8600561	8600561	Plug-in Deutsch Connector without cover
8600025, 8600562	8600562	Plug-in Deutsch Connector with cover
10510919	10512460	Capacitor

PRESS-IN SEAL DESIGN HELPS ELIMINATE OIL LEAKS & ENSURE A LONG LIFE.



LONG-LIFE PRESS-IN SEAL KIT



**DEL COREMY.COM**  
FOR COMPREHENSIVE PARTS LIST & INSTALLATION INSTRUCTIONS

\*See the images to identify the seal design. The press-in style is most current.



**Ensure a clean start every time with Delco Remy starters equipped with the electrical soft-start engagement system.**

Delco Remy starters are lightweight in design while still providing the power for industry leading performance.

### Tech Support

**800-372-0222**

If you need assistance with part number identification or electrical system troubleshooting, we're here to help.



**39MT All-Makes Warranty:  
3 year/Unlimited Miles**

### POPULAR TRANSIT 39MT ALL-MAKES PART NUMBERS

24V Engine	39MT All-Makes	Pinion Pitch/Teeth
CAT C12, C13, C15 Cummins ISM, ISX, N14 Detroit S50, S60 Mack E7	<b>8200330*</b>	6/8 - 11 tooth
Cummins ISB, ISC, ISL Navistar DT466, DT530 Volvo D12	<b>8200435*</b>	8/10 - 12 tooth
Mercedes 4000 Detroit DD13, 15	<b>8200436*</b>	Mod 3 Metric - 12 tooth

\* These 39MT part numbers may require modification to the solenoid and/or IMS switch positions. These part numbers may not be used for solenoid down applications.

### POPULAR TRANSIT STARTER PART NUMBERS

Model	Part Number	Pinion Pitch/Teeth	Solenoid Switch Position	New or Reman	OCP	
39MT	8200321	6/8 - 11 tooth	278	New	Yes	
	8200337		038		No	
	8200736					8/10 - 12 tooth
	8200980	082				
	8200702		308			
	8200272					6/8 - 11 tooth
19011524	038	Reman				
10478998			052	New	Yes	
10461068						
1993788	038	New				
10479130			052	New	Yes	
10461025						082
8200529	038	New				
8200068			052	New	Yes	
1990413						082
8201067	322	New				
10479213			8/10 - 12 tooth	New	Yes	
8200986						322
8200517	8/10 - 12 tooth	New				
10479228			322	New	Yes	

**delcoremy.com**



BorgWarner Inc.  
600 Corporation Drive  
Pendleton, IN 46064 USA  
For Customer Service or Technical Assistance call 1-800-372-3555

Delco Remy is a registered trademark of General Motors Corporation licensed to BorgWarner PDS (Anderson) L.L.C. | C11130 | 8-17